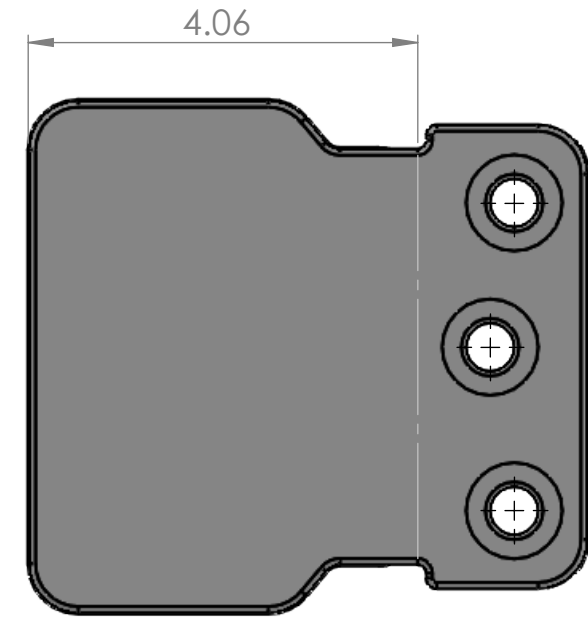
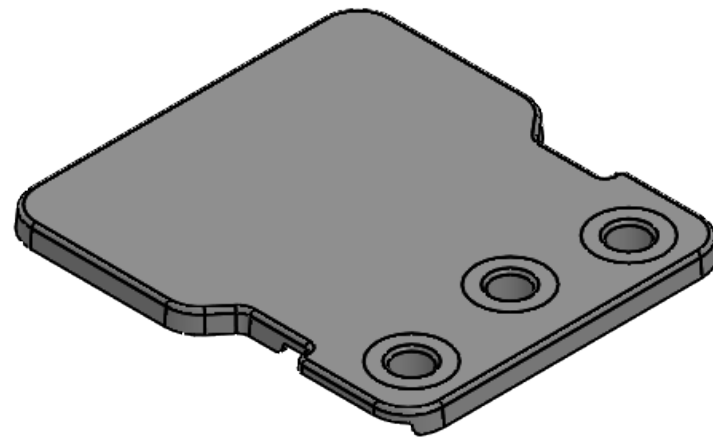


CE-1-FR

Cutout cover extension for the ECC-UMC, ECC-UHC and ECC-10UC. The extension can be ordered separately or with the cutout cover. The extension snaps into the cutout cover.

Extends the front of the cutout cover for additional coverage.

FR, UL 94 5VA rated.



Top View



Side View

Warning!

1. High Voltage can cause death or serious injury.
2. This product is NOT PPE (Personal Protective Equipment). It is not designed to protect humans from electrical hazards, electrical arcs, or flashover.
3. Always follow safe working procedures, safety standards, and guidelines. Always use approved live line tools and PPE, rubber gloves, and sleeves if required, during installation, removal, and maintenance.

PROPRIETARY AND CONFIDENTIAL
 THE INFORMATION CONTAINED IN THIS DRAWING IS THE SOLE PROPERTY OF ECO ELECTRICAL SYSTEMS. ANY REPRODUCTION IN PART OR AS A WHOLE WITHOUT THE WRITTEN PERMISSION OF ECO ELECTRICAL SYSTEMS IS PROHIBITED.

		UNLESS OTHERWISE SPECIFIED:		NAME	DATE		
		DIMENSIONS ARE IN INCHES	DRAWN	ML	4/8/20	TITLE:	
		TOLERANCES:	CHECKED			CE-1-FR	
		FRACTIONAL	ENG APPR.				
		ANGULAR: MACH BEND	MFG APPR.				
		TWO PLACE DECIMAL	Q.A.				
		THREE PLACE DECIMAL	COMMENTS:				
		INTERPRET GEOMETRIC TOLERANCING PER:				SIZE	DWG. NO.
		MATERIAL				B	
		FR UL 94 5VA Rated					REV
		FINISH					1
NEXT ASSY	USED ON	SMOOTH				WEIGHT:	
APPLICATION		DO NOT SCALE DRAWING				SHEET 1 OF 1	