

D

D

C

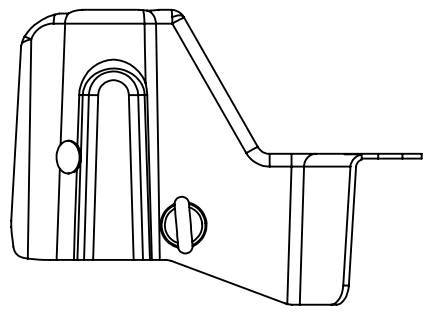
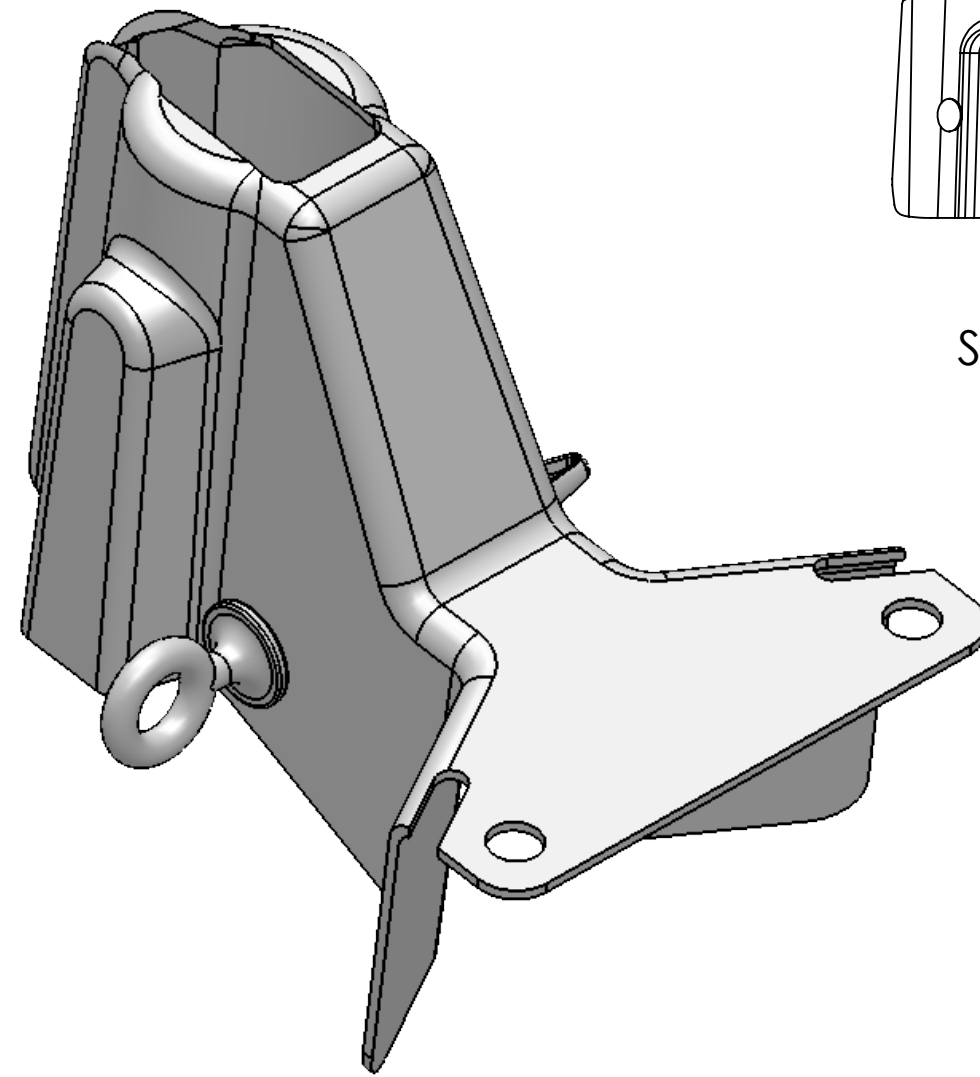
C

B

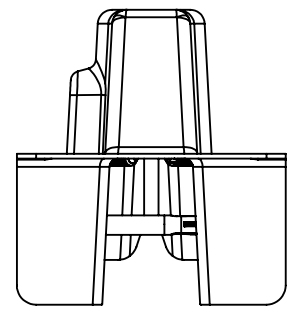
B

A

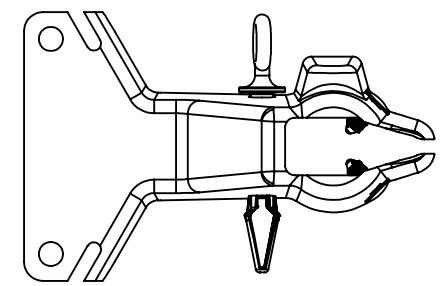
A



Side View



Front View



Top View

**Warning!**

1. **High Voltage can cause death or serious injury.**
2. **This product is NOT PPE (Personal Protective Equipment). It is not designed to protect humans from electrical hazards, electrical arcs, or flashover.**
3. **Always follow safe working procedures, safety standards, and guidelines. Always use approved live line tools and PPE, rubber gloves, and sleeves if required, during installation, removal, and maintenance.**

Note: Install pins through both holes for proper installation.

**US PATENTS 6,812,400; 7,154,034 AND 7,154,036**

**PROPRIETARY AND CONFIDENTIAL**  
 THE INFORMATION CONTAINED IN THIS DRAWING IS THE SOLE PROPERTY OF ECO ELECTRICAL SYSTEMS. ANY REPRODUCTION IN PART OR AS A WHOLE WITHOUT THE WRITTEN PERMISSION OF ECO ELECTRICAL SYSTEMS IS PROHIBITED.

		UNLESS OTHERWISE SPECIFIED:		NAME	DATE	TITLE:  <b>ECC-1-NP</b>		
		DIMENSIONS ARE IN INCHES		DRAWN	ML			11/20/10
		TOLERANCES:		CHECKED				
		FRACTIONAL		ENG APPR.				
		ANGULAR: MACH BEND		MFG APPR.				
		TWO PLACE DECIMAL		Q.A.				
		THREE PLACE DECIMAL		COMMENTS:				
		INTERPRET GEOMETRIC TOLERANCING PER:				SIZE	DWG. NO.	REV
		MATERIAL				<b>B</b>		<b>1</b>
		FINISH						
NEXT ASSY	USED ON	HDPE						
		SMOOTH						
APPLICATION		DO NOT SCALE DRAWING				WEIGHT:		SHEET 1 OF 1