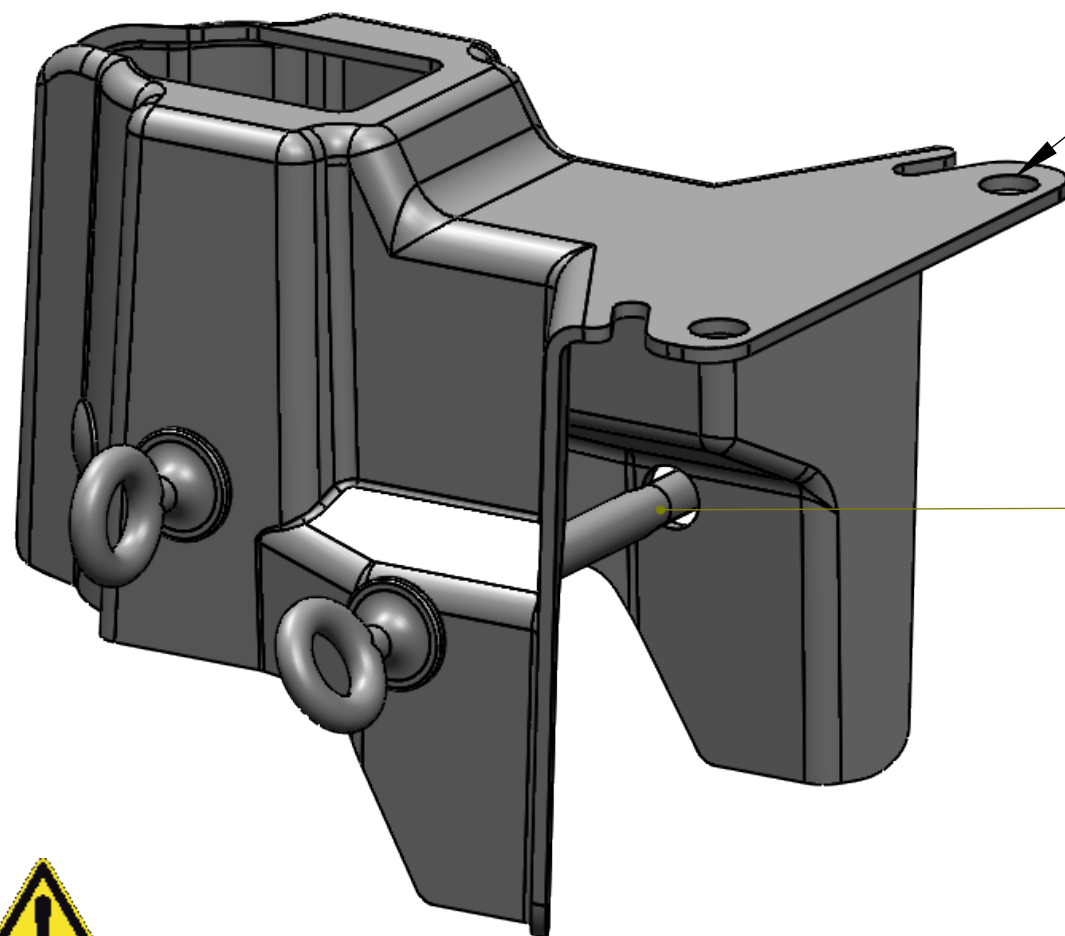
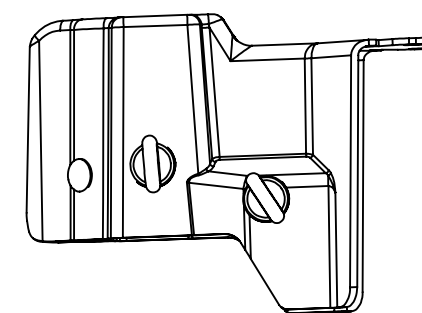


ECC-10-FR; designed for S&C SMD 20 cutouts, porcelain. Flame retardant UL 5VA rated.

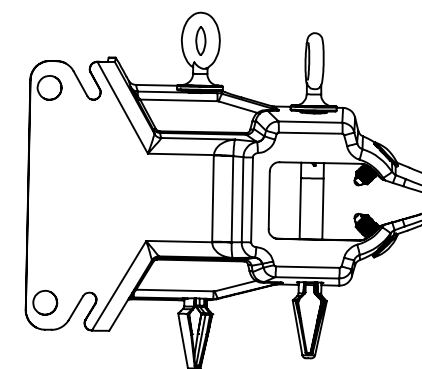


Hotstick holes, i.e. shotgun

Pins have to be inserted through both holes for proper installation.



Side View



Top View

Warning!



1. High Voltage can cause death or serious injury.
2. This product is NOT PPE (Personal Protective Equipment). It is not designed to protect humans from electrical hazards, electrical arcs, or flashover.
3. Always follow safe working procedures, safety standards, and guidelines. Always use approved live line tools and PPE, rubber gloves, and sleeves if required, during installation, removal, and maintenance.

PROPRIETARY AND CONFIDENTIAL
 THE INFORMATION CONTAINED IN THIS DRAWING IS THE SOLE PROPERTY OF ECO ELECTRICAL SYSTEMS. ANY REPRODUCTION IN PART OR AS A WHOLE WITHOUT THE WRITTEN PERMISSION OF ECO ELECTRICAL SYSTEMS IS PROHIBITED.

		UNLESS OTHERWISE SPECIFIED:		NAME	DATE		
		DIMENSIONS ARE IN INCHES TOLERANCES: FRACTIONAL ANGULAR: MACH BEND TWO PLACE DECIMAL THREE PLACE DECIMAL		DRAWN	ML	2/18/20	
		INTERPRET GEOMETRIC TOLERANCING PER:		CHECKED			TITLE:
		MATERIAL FR UL 5VARated		ENG APPR.			ECC-10-FR
		FINISH SMOOTH		MFG APPR.			
NEXT ASSY	USED ON			Q.A.			SIZE B
APPLICATION		DO NOT SCALE DRAWING		COMMENTS:			DWG. NO.
							REV 1
							WEIGHT:
							SHEET 1 OF 1