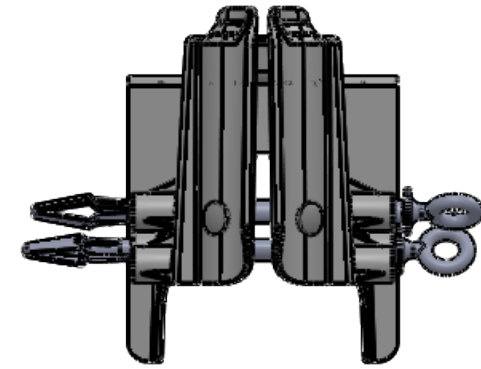
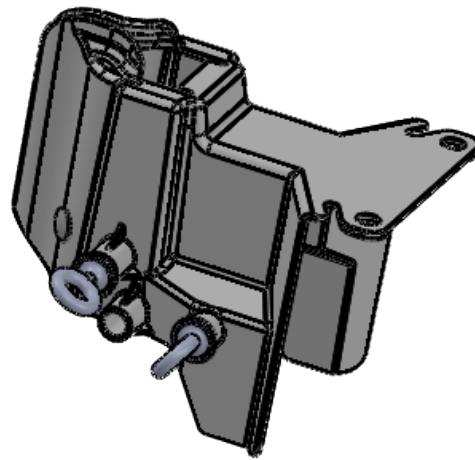


ECC-10U

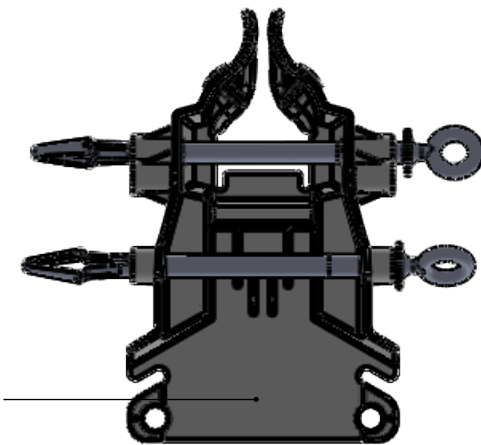
Designed for the S&C SMD 20 cutouts, porcelain and polymer.
 No cruciforms for adding the extension to the front for added coverage.
 Available in FR rated material.
 UL 94 5VA rated.

For FR material add FR, Part # ECC-10U-FR.

For porcelain insert the pins high and low as shown.
 For polymer insert pins in the lower two holes.



Back View



Bottom View

Warning!

1. High Voltage can cause death or serious injury.
2. This product is NOT PPE (Personal Protective Equipment). It is not designed to protect humans from electrical hazards, electrical arcs, or flashover.
3. Always follow safe working procedures, safety standards, and guidelines. Always use approved live line tools and PPE, rubber gloves, and sleeves if required, during installation, removal, and maintenance.

No cruciforms for an extension.
 For capability to add the extension see part # ECC-10UC.

PROPRIETARY AND CONFIDENTIAL
 THE INFORMATION CONTAINED IN THIS DRAWING IS THE SOLE PROPERTY OF ECO ELECTRICAL SYSTEMS. ANY REPRODUCTION IN PART OR AS A WHOLE WITHOUT THE WRITTEN PERMISSION OF ECO ELECTRICAL SYSTEMS IS PROHIBITED.

		UNLESS OTHERWISE SPECIFIED:		NAME	DATE				
		DIMENSIONS ARE IN INCHES		DRAWN	ML	4/6/20			
		TOLERANCES:		CHECKED			TITLE:		
		FRACTIONAL		ENG APPR.			ECC-10U		
		ANGULAR: MACH BEND		MFG APPR.			SIZE		
		TWO PLACE DECIMAL		Q.A.			DWG. NO.		
		THREE PLACE DECIMAL		COMMENTS:			REV		
		INTERPRET GEOMETRIC TOLERANCING PER:						1	
		MATERIAL						WEIGHT:	
		HDPE						SHEET 1 OF 1	
NEXT ASSY		USED ON							
		FINISH							
		SMOOTH							
APPLICATION		DO NOT SCALE DRAWING							