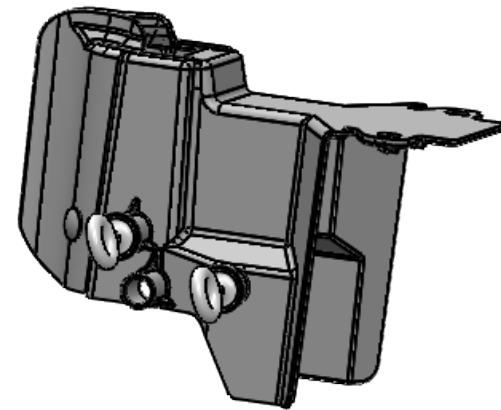
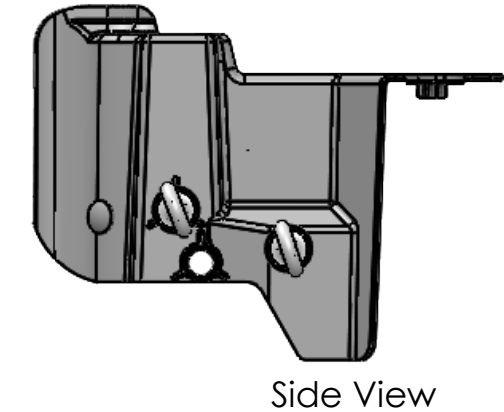


# ECC-10UC

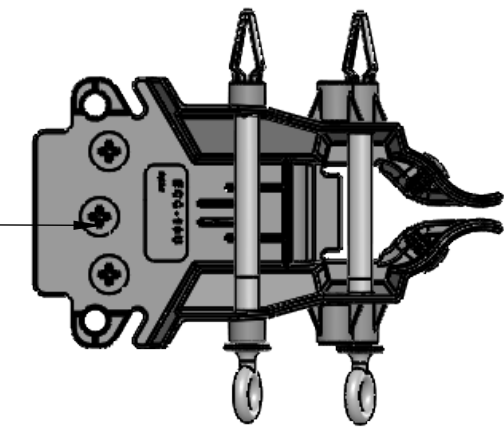
Designed for the S&C SMD 20 cutouts, porcelain and polymer.  
 Cruciforms for adding the extension to the front for added coverage.  
 Available in FR rated material.  
 UL 94 5VA rated.

For FR material add FR, Part # ECC-10UC-FR.

For porcelain insert the pins high and low as shown.  
 For polymer insert pins in the lower two holes.



Cruciforms for adding the extension.



## Warning!

1. High Voltage can cause death or serious injury.
2. This product is NOT PPE (Personal Protective Equipment). It is not designed to protect humans from electrical hazards, electrical arcs, or flashover.
3. Always follow safe working procedures, safety standards, and guidelines. Always use approved live line tools and PPE, rubber gloves, and sleeves if required, during installation, removal, and maintenance.

**PROPRIETARY AND CONFIDENTIAL**  
 THE INFORMATION CONTAINED IN THIS DRAWING IS THE SOLE PROPERTY OF ECO ELECTRICAL SYSTEMS. ANY REPRODUCTION IN PART OR AS A WHOLE WITHOUT THE WRITTEN PERMISSION OF ECO ELECTRICAL SYSTEMS IS PROHIBITED.

		UNLESS OTHERWISE SPECIFIED:		NAME	DATE		
		DIMENSIONS ARE IN INCHES TOLERANCES: FRACTIONAL ANGULAR: MACH BEND TWO PLACE DECIMAL THREE PLACE DECIMAL		DRAWN	ML	4/14/20	TITLE:  <b>ECC-10UC</b>
				CHECKED			
				ENG APPR.			
				MFG APPR.			
		INTERPRET GEOMETRIC TOLERANCING PER:		Q.A.			SIZE <b>B</b>
		MATERIAL HDPE		COMMENTS:			
NEXT ASSY	USED ON	FINISH SMOOTH					REV <b>1</b>
APPLICATION		DO NOT SCALE DRAWING					WEIGHT:
							SHEET 1 OF 1