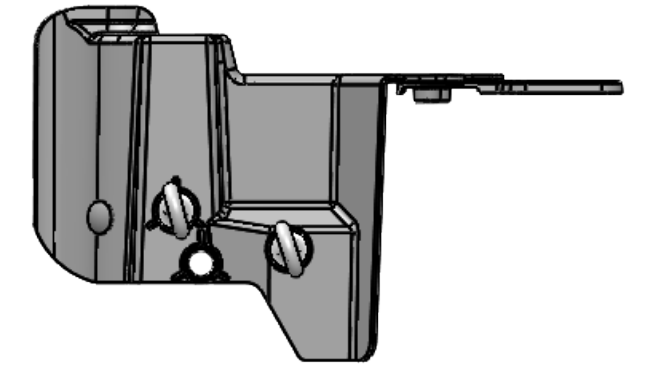


# ECC-10UCE-FR

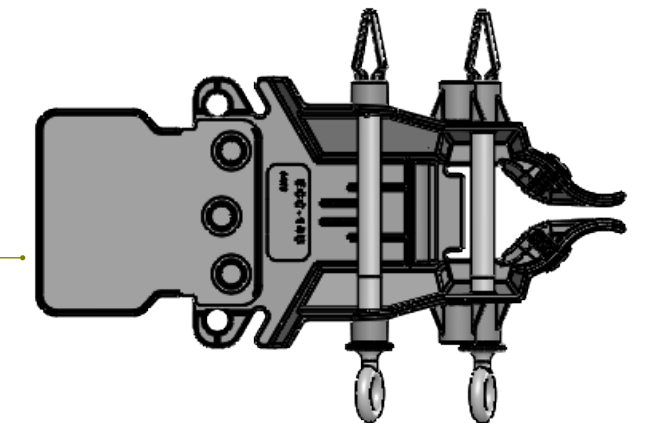
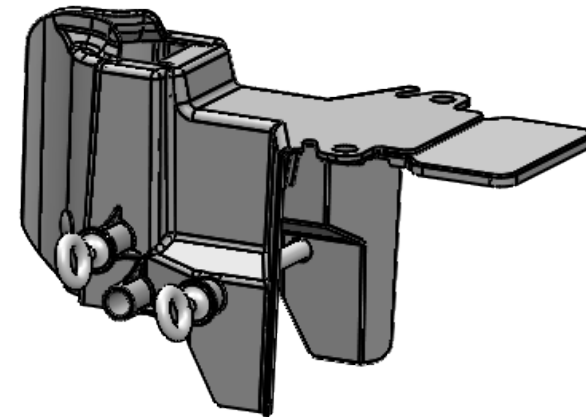
Designed for the S&C SMD 20 cutouts, porcelain and polymer. Includes the extension in the front for added coverage.

UL 94 5VA rated.

For porcelain insert the pins high and low as shown.  
For polymer insert pins in the lower two holes.



Side View



Bottom View

Extension for added coverage.

## Warning!



1. High Voltage can cause death or serious injury.
2. This product is NOT PPE (Personal Protective Equipment). It is not designed to protect humans from electrical hazards, electrical arcs, or flashover.
3. Always follow safe working procedures, safety standards, and guidelines. Always use approved live line tools and PPE, rubber gloves, and sleeves if required, during installation, removal, and maintenance.

**PROPRIETARY AND CONFIDENTIAL**  
THE INFORMATION CONTAINED IN THIS DRAWING IS THE SOLE PROPERTY OF ECO ELECTRICAL SYSTEMS. ANY REPRODUCTION IN PART OR AS A WHOLE WITHOUT THE WRITTEN PERMISSION OF ECO ELECTRICAL SYSTEMS IS PROHIBITED.

		UNLESS OTHERWISE SPECIFIED:	NAME	DATE		
		DIMENSIONS ARE IN INCHES	DRAWN	ML	4/14/20	TITLE:  <b>ECC-10UCE-FR</b>
		TOLERANCES: FRACTIONAL	CHECKED			
		ANGULAR: MACH BEND	ENG APPR.			
		TWO PLACE DECIMAL THREE PLACE DECIMAL	MFG APPR.			
		INTERPRET GEOMETRIC TOLERANCING PER:	Q.A.			SIZE <b>B</b>
		MATERIAL FR UL 5VA Rated	COMMENTS:			
NEXT ASSY	USED ON	FINISH SMOOTH				REV <b>1</b>
APPLICATION		DO NOT SCALE DRAWING				WEIGHT:
					SHEET 1 OF 1	