

ECC-UH

The ECC-UH is a universal cutout cover that is taller in the front for added clearance from the upper contact assembly and added clearance for insertion of a loadbreak tool.

For additional coverage in the front see the ECC-UHC or ECC-UHCE with an extension.

Designed for porcelain and polymer cutouts.

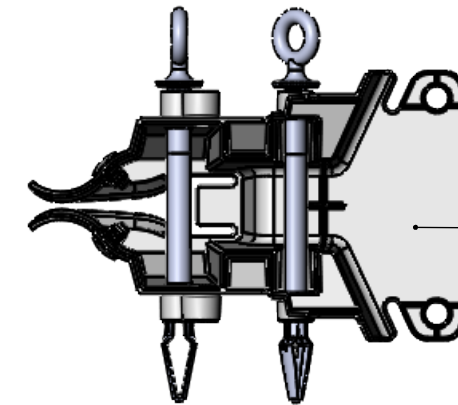
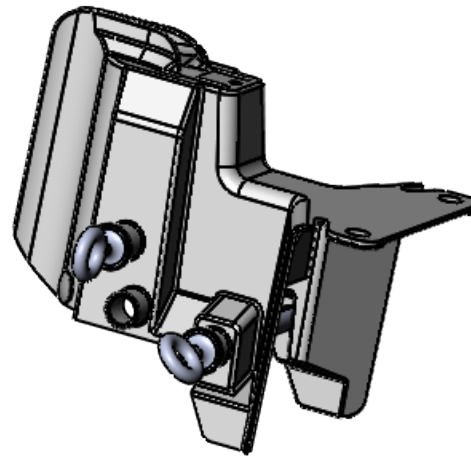
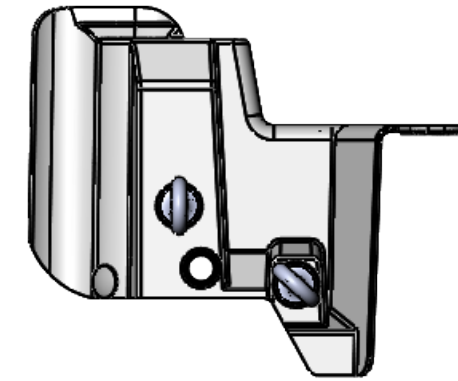
110, 125 and 150 BIL.

For porcelain cutouts pin one high and one low, as shown.

For polymer pin in the lower two holes.

FR rating available, UL 94 5VA rated.

Part # ECC-UH-FR.



No cruciforms for extension.

Warning!



1. High Voltage can cause death or serious injury.
2. This product is NOT PPE (Personal Protective Equipment). It is not designed to protect humans from electrical hazards, electrical arcs, or flashover.
3. Always follow safe working procedures, safety standards, and guidelines. Always use approved live line tools and PPE, rubber gloves, and sleeves if required, during installation, removal, and maintenance.

PROPRIETARY AND CONFIDENTIAL
 THE INFORMATION CONTAINED IN THIS DRAWING IS THE SOLE PROPERTY OF ECO ELECTRICAL SYSTEMS. ANY REPRODUCTION IN PART OR AS A WHOLE WITHOUT THE WRITTEN PERMISSION OF ECO ELECTRICAL SYSTEMS IS PROHIBITED.

		UNLESS OTHERWISE SPECIFIED:		NAME	DATE		
		DIMENSIONS ARE IN INCHES TOLERANCES: FRACTIONAL ANGULAR: MACH BEND TWO PLACE DECIMAL THREE PLACE DECIMAL		DRAWN	ML	3/20/20	TITLE: ECC-UH
				CHECKED			
				ENG APPR.			
				MFG APPR.			
		INTERPRET GEOMETRIC TOLERANCING PER:		Q.A.			SIZE B
		MATERIAL HDPE		COMMENTS:		DWG. NO.	
NEXT ASSY	USED ON	FINISH SMOOTH					REV 1
APPLICATION		DO NOT SCALE DRAWING				WEIGHT:	SHEET 1 OF 1