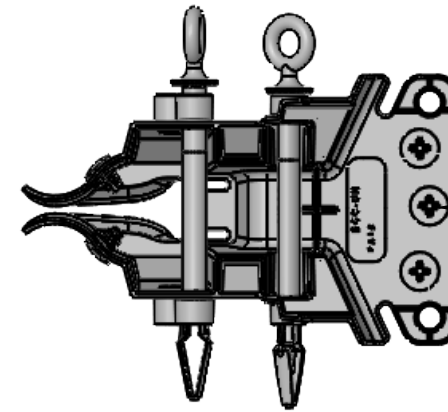
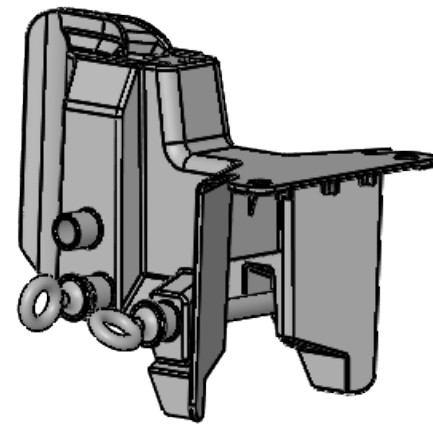


ECC-UHC-FR

The ECC-UHC-FR is molded with cruciforms for the capability to add an extension to the front of the cover for added coverage.

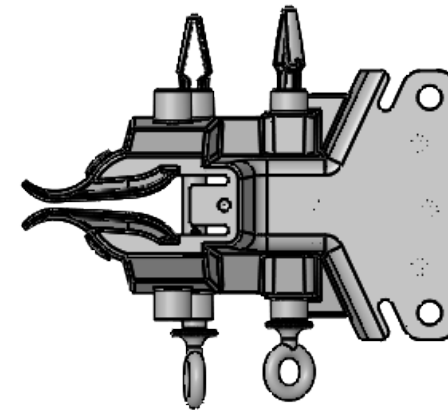
The extension can be ordered separately or with the ECC-UHC. Part number with the extension would be ECC-UHCE.

Flame retardant, FR UL 94 5VA.



Bottom View

Cruciforms for adding the extension



Top View

Warning!

1. High Voltage can cause death or serious injury.
2. This product is NOT PPE (Personal Protective Equipment). It is not designed to protect humans from electrical hazards, electrical arcs, or flashover.
3. Always follow safe working procedures, safety standards, and guidelines. Always use approved live line tools and PPE, rubber gloves, and sleeves if required, during installation, removal, and maintenance.

PROPRIETARY AND CONFIDENTIAL
THE INFORMATION CONTAINED IN THIS DRAWING IS THE SOLE PROPERTY OF ECO ELECTRICAL SYSTEMS. ANY REPRODUCTION IN PART OR AS A WHOLE WITHOUT THE WRITTEN PERMISSION OF ECO ELECTRICAL SYSTEMS IS PROHIBITED.

		UNLESS OTHERWISE SPECIFIED:		NAME	DATE	TITLE: ECC-UHC-FR		
		DIMENSIONS ARE IN INCHES TOLERANCES: FRACTIONAL ANGULAR: MACH BEND TWO PLACE DECIMAL THREE PLACE DECIMAL		DRAWN	ML			3/8/20
				CHECKED				
				ENG APPR.				
				MFG APPR.				
		INTERPRET GEOMETRIC TOLERANCING PER:		Q.A.			SIZE B	
		MATERIAL FR UL 94 5VA		COMMENTS:		DWG. NO.		REV 1
NEXT ASSY	USED ON	FINISH SMOOTH				WEIGHT:	SHEET 1 OF 1	
APPLICATION		DO NOT SCALE DRAWING						