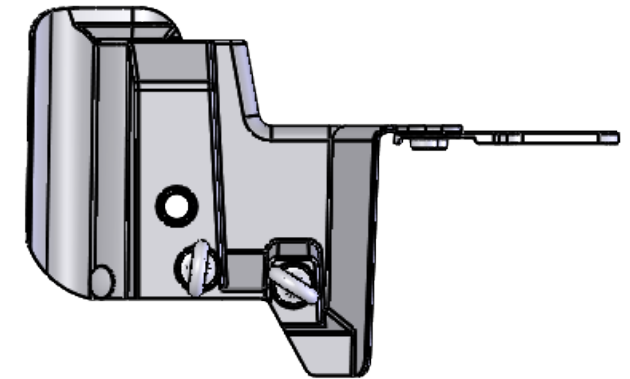
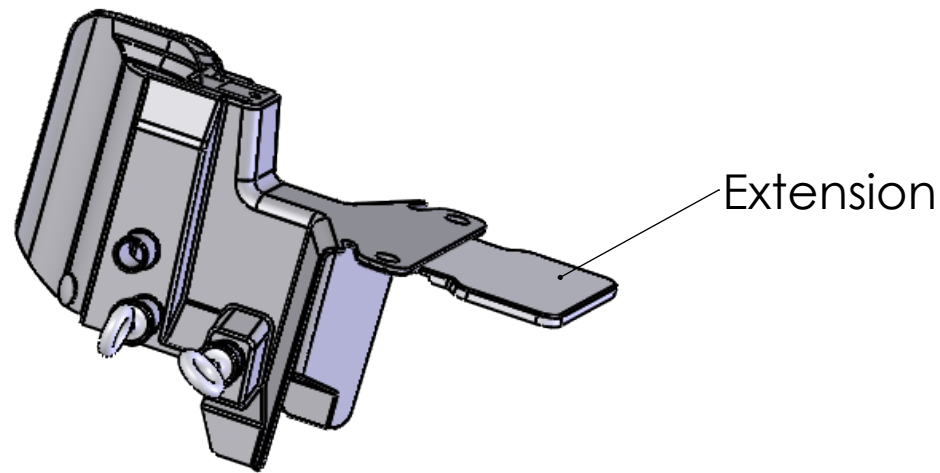


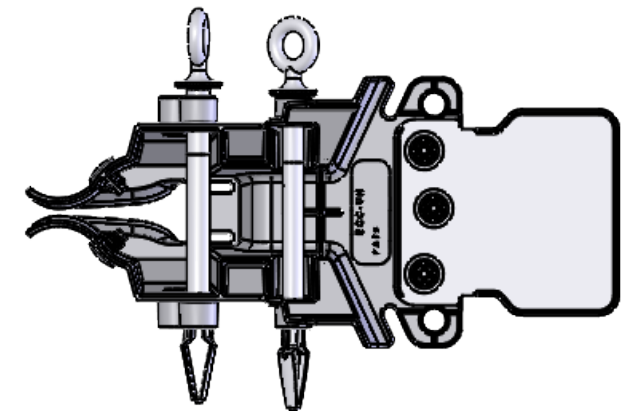
ECC-UHCE

The ECC-UHCE is a universal cutout cover with the added snap in extension for additional coverage. Designed for porcelain and polymer cutouts. 110, 125 and 150 BIL.

When a fault tamer fuse is used an extension is added to lengthen the top section of the cover as shown. The extension is an add on component. Simply snap the extension into the cover for added protection. The extension will not interfere with a loadbreak tool operation.



Side View



Bottom View

Warning!

1. High Voltage can cause death or serious injury.
2. This product is NOT PPE (Personal Protective Equipment). It is not designed to protect humans from electrical hazards, electrical arcs, or flashover.
3. Always follow safe working procedures, safety standards, and guidelines. Always use approved live line tools and PPE, rubber gloves, and sleeves if required, during installation, removal, and maintenance.

PROPRIETARY AND CONFIDENTIAL
 THE INFORMATION CONTAINED IN THIS DRAWING IS THE SOLE PROPERTY OF ECO ELECTRICAL SYSTEMS. ANY REPRODUCTION IN PART OR AS A WHOLE WITHOUT THE WRITTEN PERMISSION OF ECO ELECTRICAL SYSTEMS IS PROHIBITED.

		UNLESS OTHERWISE SPECIFIED:		NAME	DATE	TITLE: ECC-UHCE			
		DIMENSIONS ARE IN INCHES TOLERANCES: FRACTIONAL ANGULAR: MACH BEND TWO PLACE DECIMAL THREE PLACE DECIMAL		DRAWN	ML			4/5/20	
		INTERPRET GEOMETRIC TOLERANCING PER:		CHECKED					
		MATERIAL		ENG APPR.					
		FINISH		MFG APPR.					
NEXT ASSY	USED ON	HDPE		Q.A.			SIZE	DWG. NO.	REV
APPLICATION		SMOOTH		COMMENTS:			B		1
		DO NOT SCALE DRAWING					WEIGHT:	SHEET 1 OF 1	