

# ECC-UMCE or ECC-UMCE-FR

Designed for porcelain and polymer type XS cutouts.

The extension is an add on for covering the top side of the fault tamer S&C fuse. Snaps into the existing ECC-UMC to extend coverage.

Install two pins in the lower holes for polymer.

Install one low and one high for porcelain.

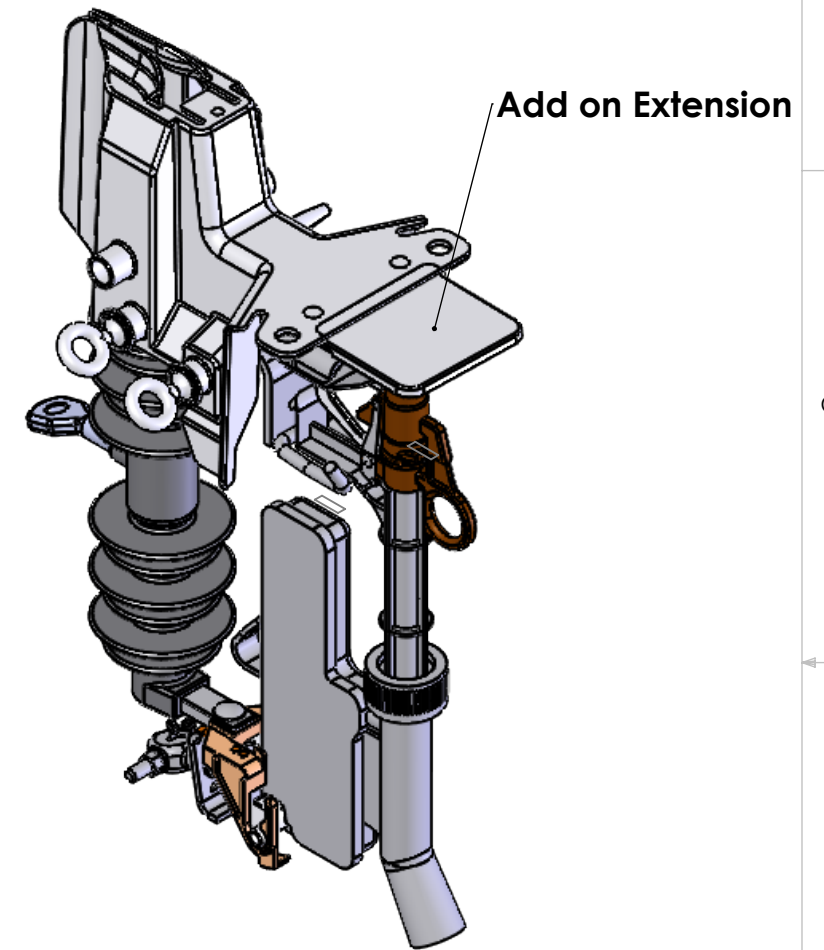
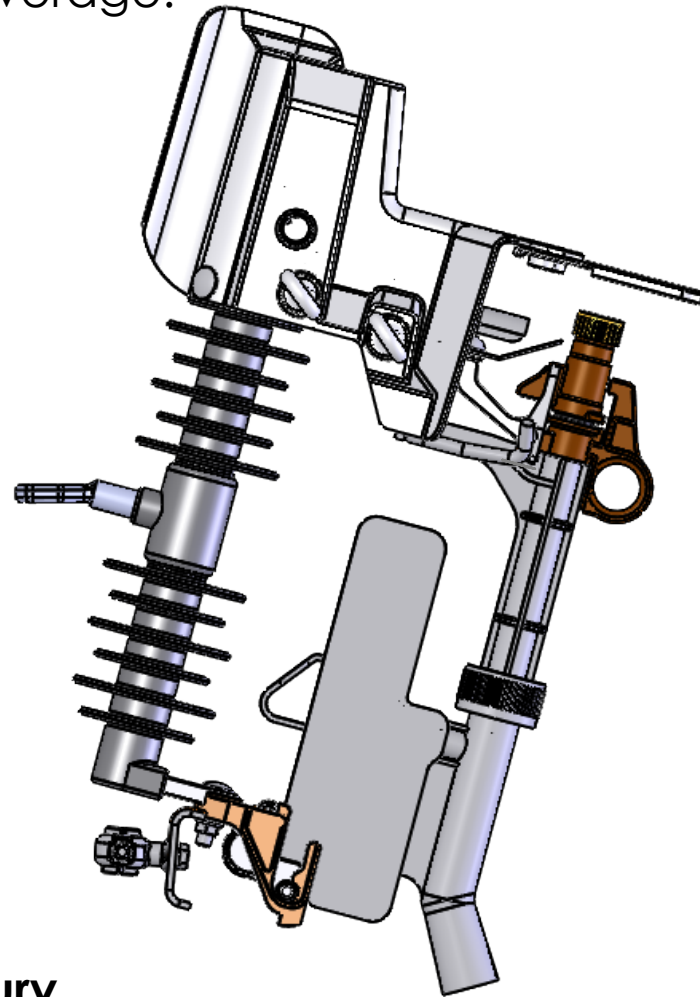
One cover fits porcelain and polymer.

**FR rating available, UL 94 5VA rated.**  
**Part number ECC-UM-FR.**

US Patent Pending

**Warning!** 

1. High Voltage can cause death or serious injury.
2. This product is NOT PPE (Personal Protective Equipment). It is not designed to protect humans from electrical hazards, electrical arcs, or flashover.
3. Always follow safe working procedures, safety standards, and guidelines. Always use approved live line tools and PPE, rubber gloves, and sleeves if required, during installation, removal, and maintenance.



**PROPRIETARY AND CONFIDENTIAL**  
 THE INFORMATION CONTAINED IN THIS DRAWING IS THE SOLE PROPERTY OF ECO ELECTRICAL SYSTEMS. ANY REPRODUCTION IN PART OR AS A WHOLE WITHOUT THE WRITTEN PERMISSION OF ECO ELECTRICAL SYSTEMS IS PROHIBITED.

|             |         |   |          |           |              |
|-------------|---------|---|----------|-----------|--------------|
|             |         | UNLESS OTHERWISE SPECIFIED:   |          | NAME      | DATE         |
|             |         | DIMENSIONS ARE IN INCHES<br>TOLERANCES:<br>FRACTIONAL<br>ANGULAR: MACH BEND<br>TWO PLACE DECIMAL<br>THREE PLACE DECIMAL |          | DRAWN     | ML 3/27/19   |
|             |         | INTERPRET GEOMETRIC TOLERANCING PER:  |          | CHECKED   |              |
|             |         | MATERIAL  |          | ENG APPR. |              |
|             |         | HDPE  |          | MFG APPR. |              |
|             |         | FINISH  |          | Q.A.      |              |
|             |         | SMOOTH  |          | COMMENTS: |              |
| NEXT ASSY   | USED ON | TITLE:<br><b>ECC-UMCE or<br/>ECC-UMCE-FR</b>  |          |           |              |
| APPLICATION |         |   |          |           |              |
|             |         | DO NOT SCALE DRAWING  | SIZE     | DWG. NO.  | REV          |
|             |         |   | <b>B</b> |           | <b>1</b>     |
|             |         |   | WEIGHT:  |           | SHEET 1 OF 1 |