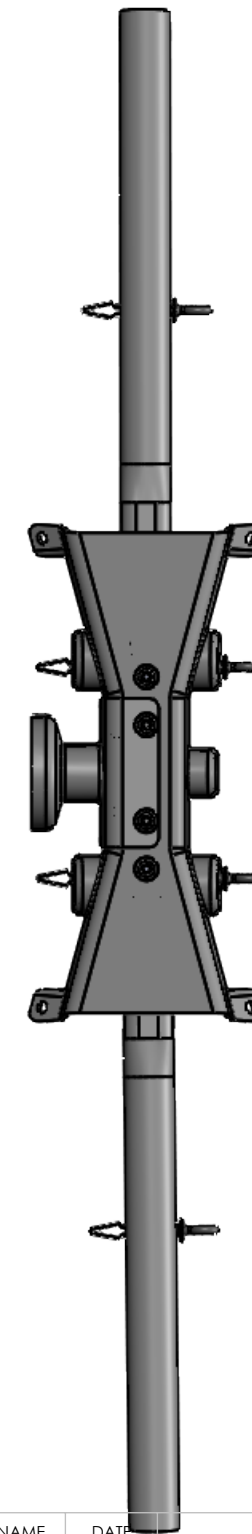
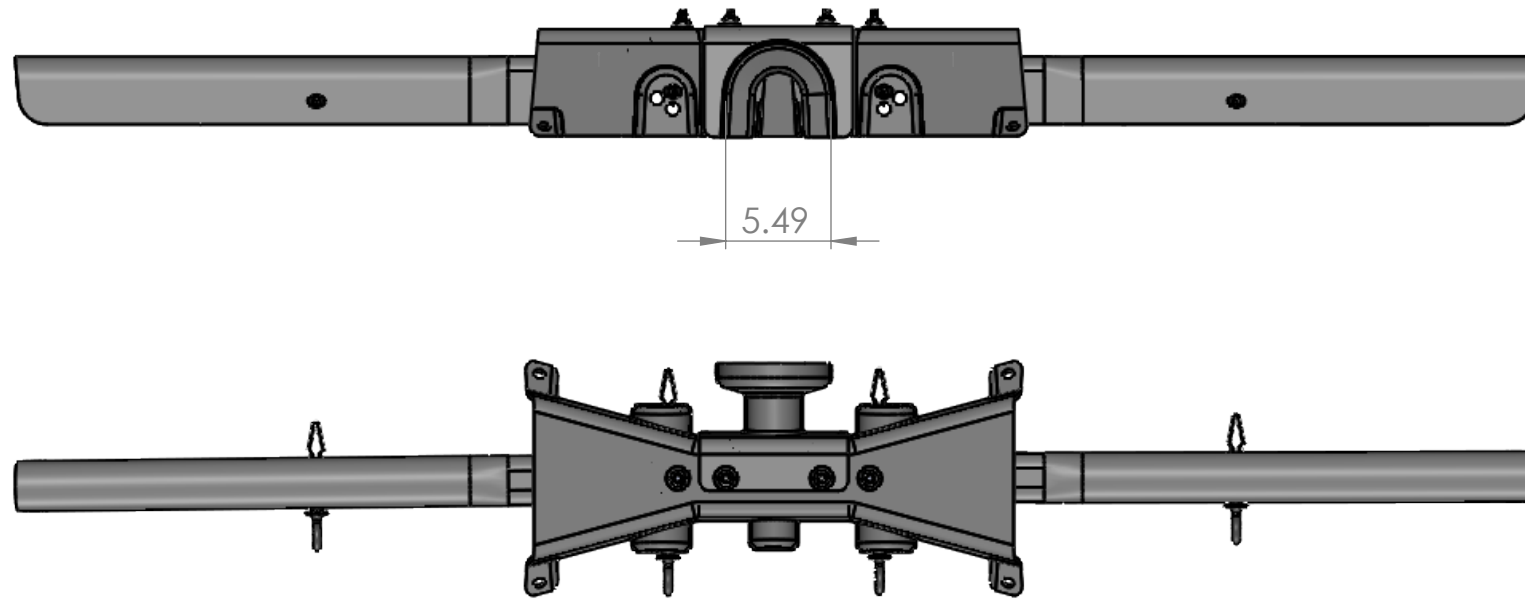


EHCT-1B-2-NP

Designed for horizontal clamp tops.
Shed diameter 5.49 inches.



Warning!



1. High Voltage can cause death or serious injury.
2. This product is NOT PPE (Personal Protective Equipment). It is not designed to protect humans from electrical hazards, electrical arcs, or flashover.
3. Always follow safe working procedures, safety standards, and guidelines. Always use approved live line tools and PPE, rubber gloves, and sleeves if required, during installation, removal, and maintenance.

PROPRIETARY AND CONFIDENTIAL
THE INFORMATION CONTAINED IN THIS DRAWING IS THE SOLE PROPERTY OF ECO ELECTRICAL SYSTEMS. ANY REPRODUCTION IN PART OR AS A WHOLE WITHOUT THE WRITTEN PERMISSION OF ECO ELECTRICAL SYSTEMS IS PROHIBITED.

		UNLESS OTHERWISE SPECIFIED:	NAME	DATE		
		DIMENSIONS ARE IN INCHES	DRAWN	ML	6/14/20	TITLE:
		TOLERANCES:	CHECKED			EHCT-1B-2-NP
		FRACTIONAL	ENG APPR.			
		ANGULAR: MACH BEND	MFG APPR.			
		TWO PLACE DECIMAL	Q.A.			
		THREE PLACE DECIMAL	COMMENTS:			SIZE
		INTERPRET GEOMETRIC TOLERANCING PER:				DWG. NO.
		MATERIAL				REV
		HDPE				1
NEXT ASSY	USED ON	FINISH				WEIGHT:
		SMOOTH				SHEET 1 OF 1
APPLICATION		DO NOT SCALE DRAWING				