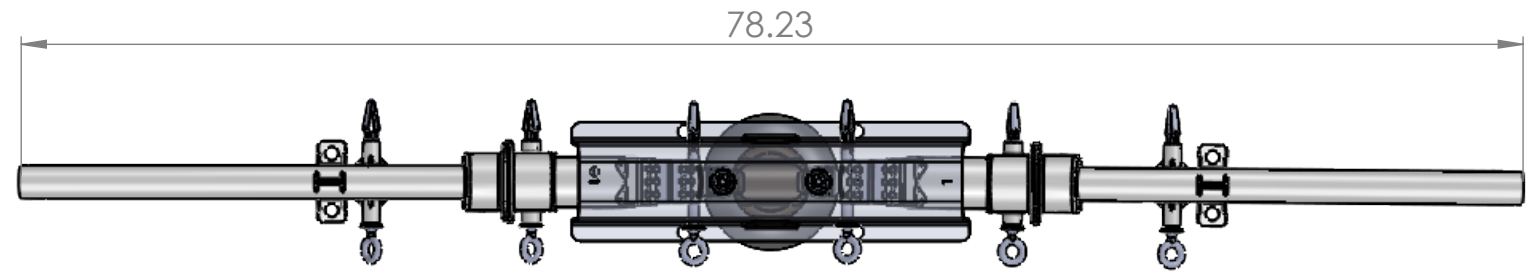
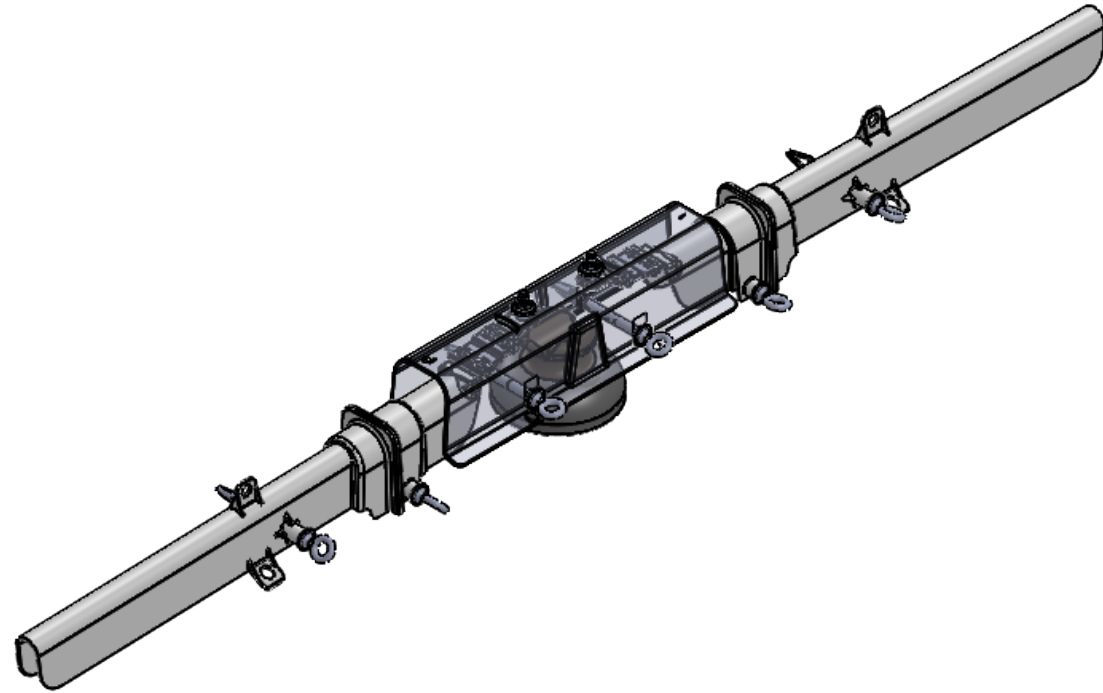


EICG-1-HSN

The EICG-1-HSN has narrower arms than the EICG-1-HSW.



Top View



Side View

Warning!

1. High Voltage can cause death or serious injury.
2. This product is NOT PPE (Personal Protective Equipment). It is not designed to protect humans from electrical hazards, electrical arcs, or flashover.
3. Always follow safe working procedures, safety standards, and guidelines. Always use approved live line tools and PPE, rubber gloves, and sleeves if required, during installation, removal, and maintenance.

PROPRIETARY AND CONFIDENTIAL
 THE INFORMATION CONTAINED IN THIS DRAWING IS THE SOLE PROPERTY OF ECO ELECTRICAL SYSTEMS. ANY REPRODUCTION IN PART OR AS A WHOLE WITHOUT THE WRITTEN PERMISSION OF ECO ELECTRICAL SYSTEMS IS PROHIBITED.

		UNLESS OTHERWISE SPECIFIED:		NAME	DATE		
		DIMENSIONS ARE IN INCHES	DRAWN	ML	4/4/20	TITLE: EICG-1-HSN	
		TOLERANCES:	CHECKED				
		FRACTIONAL	ENG APPR.				
		ANGULAR: MACH BEND	MFG APPR.				
		TWO PLACE DECIMAL	Q.A.			SIZE	DWG. NO.
		THREE PLACE DECIMAL	COMMENTS:			B	
		INTERPRET GEOMETRIC TOLERANCING PER:					REV
		MATERIAL					1
NEXT ASSY	USED ON	HDPE					
		FINISH					
		SMOOTH					
APPLICATION		DO NOT SCALE DRAWING				WEIGHT:	SHEET 1 OF 1