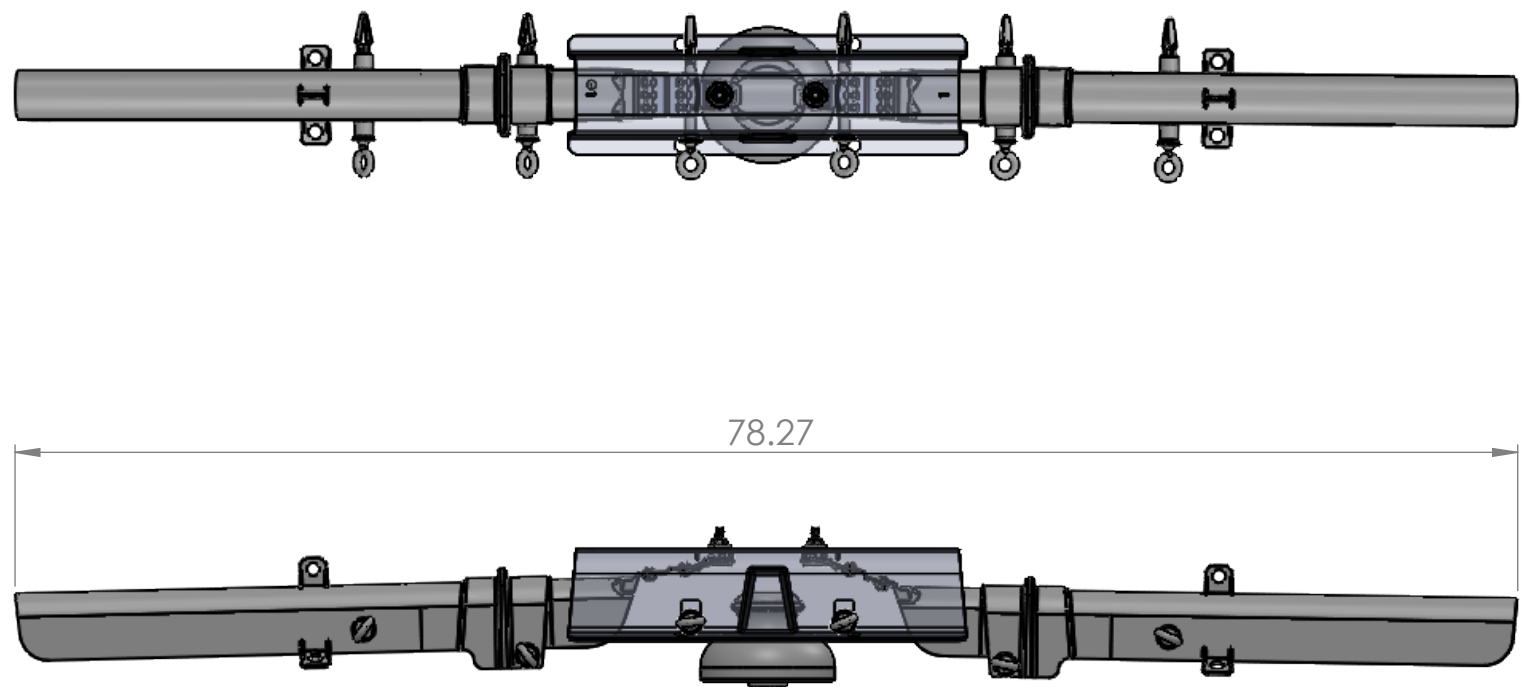
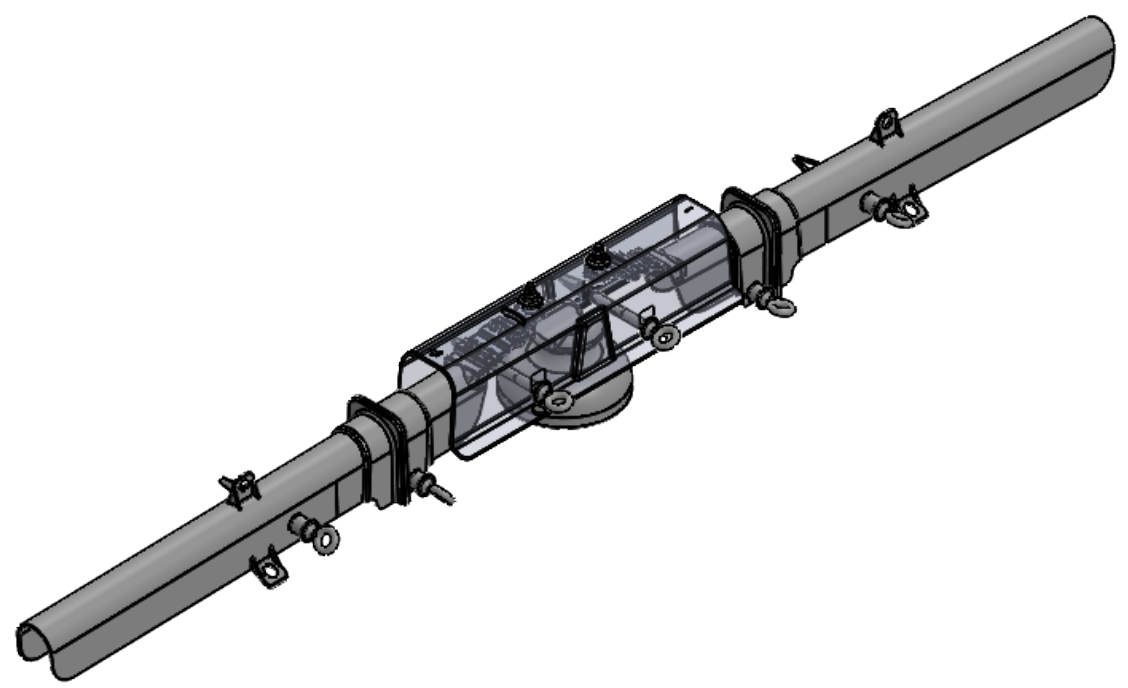


# EICG-1-HSW-FR

This cover is designed to be installed in 3 pieces. Designed for ANSI Class 55-4, 55-5 and 57 series porcelain and polymer F neck tie top, tangent construction. Flame retardant, UL 94 5VA rated.



**Warning!**

1. High Voltage can cause death or serious injury.
2. This product is NOT PPE (Personal Protective Equipment). It is not designed to protect humans from electrical hazards, electrical arcs, or flashover.
3. Always follow safe working procedures, safety standards, and guidelines. Always use approved live line tools and PPE, rubber gloves, and sleeves if required, during installation, removal, and maintenance.

**PROPRIETARY AND CONFIDENTIAL**  
 THE INFORMATION CONTAINED IN THIS DRAWING IS THE SOLE PROPERTY OF ECO ELECTRICAL SYSTEMS. ANY REPRODUCTION IN PART OR AS A WHOLE WITHOUT THE WRITTEN PERMISSION OF ECO ELECTRICAL SYSTEMS IS PROHIBITED.

		UNLESS OTHERWISE SPECIFIED:		NAME	DATE	TITLE:  <h2 style="text-align: center;">EICG-1-HSW-FR</h2>		
		DIMENSIONS ARE IN INCHES		DRAWN	ML			3/27/19
		TOLERANCES:		CHECKED				
		FRACTIONAL		ENG APPR.				
		ANGULAR: MACH BEND		MFG APPR.				
		TWO PLACE DECIMAL		Q.A.				
		THREE PLACE DECIMAL		COMMENTS:				
		INTERPRET GEOMETRIC TOLERANCING PER:				SIZE	DWG. NO.	REV
		MATERIAL				<b>B</b>		<b>1</b>
		FINISH						
NEXT ASSY	USED ON	HDPE						
		SMOOTH						
APPLICATION		DO NOT SCALE DRAWING				WEIGHT:		SHEET 1 OF 1