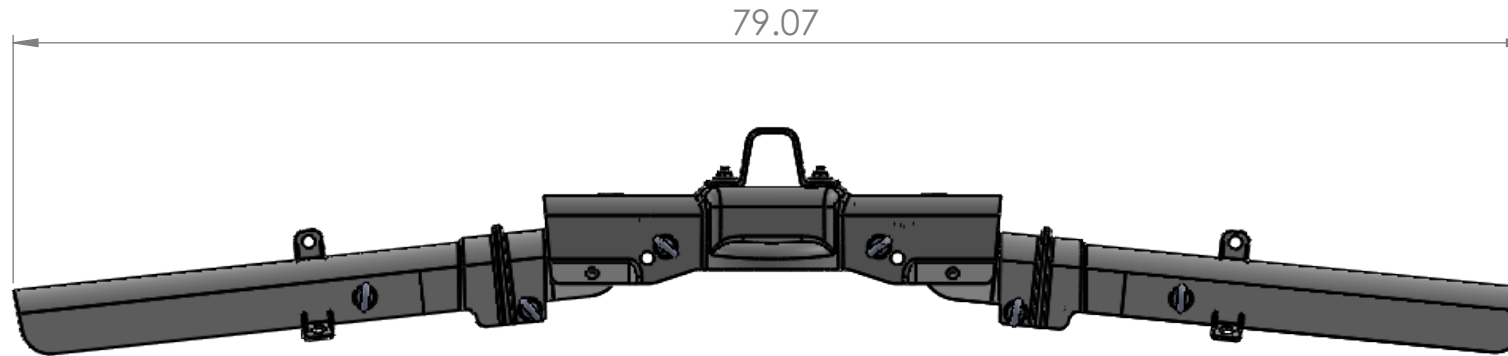


EICG-2-HLW-H-FR

The EICG-2-HLW-H-FR is designed for ANSI Class 56 insulators and ANSI Class 55-6, tangent construction, flame retardant UL 94 5VA classification, track resistant, UV Resistant. Install in 3 pieces, insulator cover first, then install the arms. Will accept downstrain construction.



Warning!

1. High Voltage can cause death or serious injury.
2. This product is NOT PPE (Personal Protective Equipment). It is not designed to protect humans from electrical hazards, electrical arcs, or flashover.
3. Always follow safe working procedures, safety standards, and guidelines. Always use approved live line tools and PPE, rubber gloves, and sleeves if required, during installation, removal, and maintenance.

PROPRIETARY AND CONFIDENTIAL
 THE INFORMATION CONTAINED IN THIS DRAWING IS THE SOLE PROPERTY OF ECO ELECTRICAL SYSTEMS. ANY REPRODUCTION IN PART OR AS A WHOLE WITHOUT THE WRITTEN PERMISSION OF ECO ELECTRICAL SYSTEMS IS PROHIBITED.

		UNLESS OTHERWISE SPECIFIED:		NAME	DATE		
		DIMENSIONS ARE IN INCHES	DRAWN	ML	3/21/21	TITLE:	
		TOLERANCES:	CHECKED			EICG-2-HLW-H-FR	
		FRACTIONAL	ENG APPR.			SIZE	
		ANGULAR: MACH BEND	MFG APPR.			DWG. NO.	
		TWO PLACE DECIMAL	Q.A.			REV	
		THREE PLACE DECIMAL	COMMENTS:			1	
		INTERPRET GEOMETRIC TOLERANCING PER:					WEIGHT:
		MATERIAL					SHEET 1 OF 1
		FR UL 94 5VA					
NEXT ASSY	USED ON	FINISH					
		SMOOTH					
APPLICATION		DO NOT SCALE DRAWING					