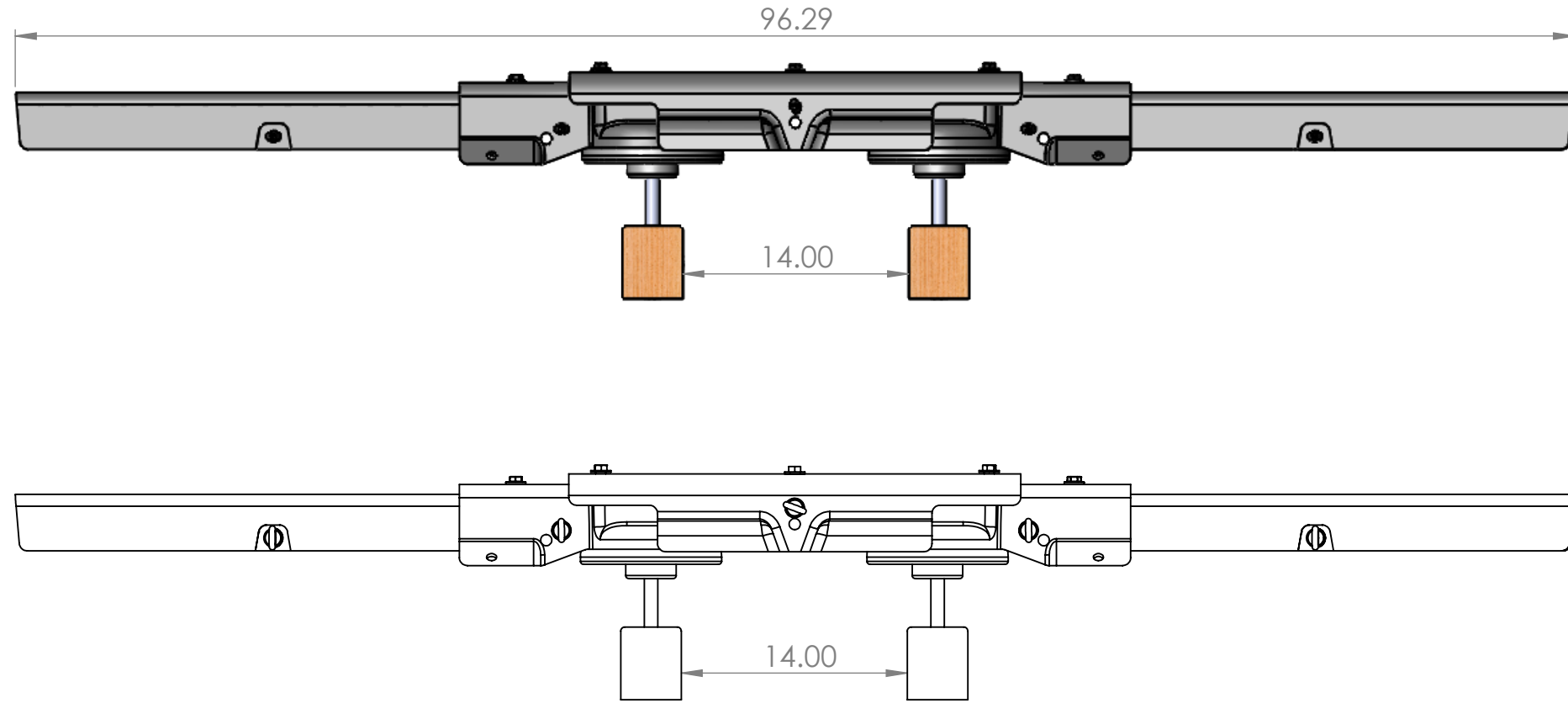


# EICG-2B-DP-NP

The EICG-2B-DP-NP is expandable for pole diameters 5" to 14".  
 Designed for ANSI Class 55-6 insulators, double pin construction, tangent, not side tie applications.



## Warning!



1. High Voltage can cause death or serious injury.
2. This product is NOT PPE (Personal Protective Equipment). It is not designed to protect humans from electrical hazards, electrical arcs, or flashover.
3. Always follow safe working procedures, safety standards, and guidelines. Always use approved live line tools and PPE, rubber gloves, and sleeves if required, during installation, removal, and maintenance.

**PROPRIETARY AND CONFIDENTIAL**  
 THE INFORMATION CONTAINED IN THIS DRAWING IS THE SOLE PROPERTY OF ECO ELECTRICAL SYSTEMS. ANY REPRODUCTION IN PART OR AS A WHOLE WITHOUT THE WRITTEN PERMISSION OF ECO ELECTRICAL SYSTEMS IS PROHIBITED.

		UNLESS OTHERWISE SPECIFIED:		NAME	DATE
		DIMENSIONS ARE IN INCHES TOLERANCES: FRACTIONAL ANGULAR: MACH BEND TWO PLACE DECIMAL THREE PLACE DECIMAL		DRAWN	ML 11/20/10
		INTERPRET GEOMETRIC TOLERANCING PER:		CHECKED	
		MATERIAL		ENG APPR.	
		HDPE		Q.A.	
		FINISH		COMMENTS:	
		SMOOTH			
NEXT ASSY	USED ON			<b>EICG-2B-DP-NP</b> <b>14 inches</b>	
APPLICATION		DO NOT SCALE DRAWING			
		SIZE	DWG. NO.	REV	
		<b>B</b>		<b>1</b>	
				SHEET 1 OF 1	