

# EICG-4B-DPA-NP

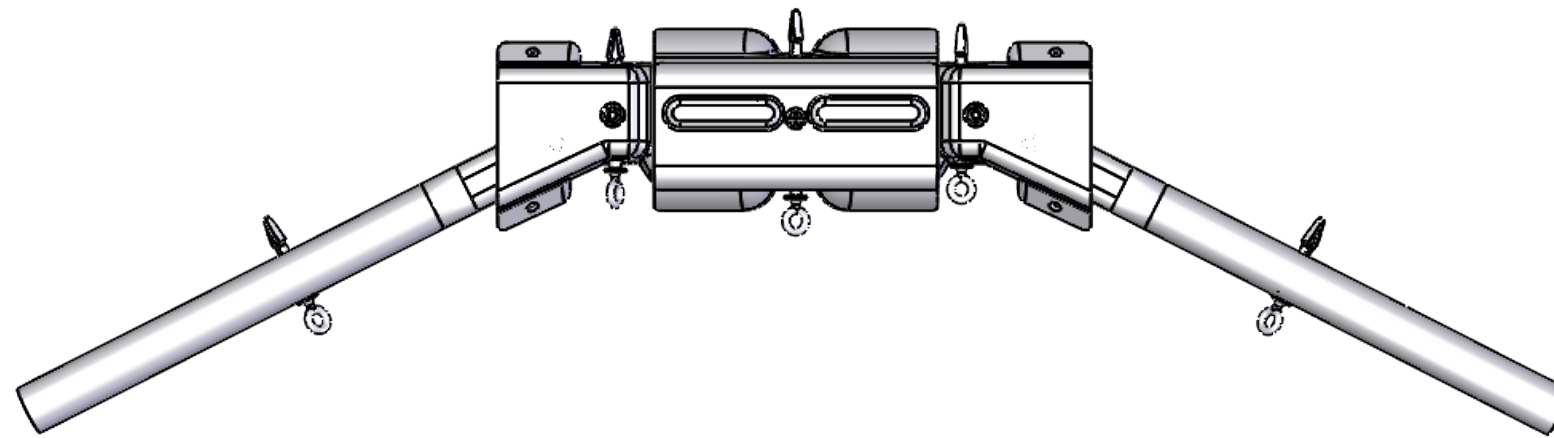
Designed for side tie or running angle construction. Fits conductors up to 397.

Insulators; 55-5 and 55-4 F-Neck

Pole diameters from 5" to 14"

Angles up to 40 degrees, bisected. Twenty degrees on one side, twenty on the other.

Top View



## Warning!



1. High Voltage can cause death or serious injury.
2. This product is NOT PPE (Personal Protective Equipment). It is not designed to protect humans from electrical hazards, electrical arcs, or flashover.
3. Always follow safe working procedures, safety standards, and guidelines. Always use approved live line tools and PPE, rubber gloves, and sleeves if required, during installation, removal, and maintenance.

**PROPRIETARY AND CONFIDENTIAL**  
 THE INFORMATION CONTAINED IN THIS DRAWING IS THE SOLE PROPERTY OF ECO ELECTRICAL SYSTEMS. ANY REPRODUCTION IN PART OR AS A WHOLE WITHOUT THE WRITTEN PERMISSION OF ECO ELECTRICAL SYSTEMS IS PROHIBITED.

|                                      |         |                             |           |      |         |                |              |
|--------------------------------------|---------|-----------------------------|-----------|------|---------|----------------|--------------|
|                                      |         | UNLESS OTHERWISE SPECIFIED: |           | NAME | DATE    |                |              |
|                                      |         | DIMENSIONS ARE IN INCHES    | DRAWN     | ML   | 7/21/20 | TITLE:         |              |
|                                      |         | TOLERANCES:                 | CHECKED   |      |         | EICG-4B-DPA-NP |              |
|                                      |         | FRACTIONAL                  | ENG APPR. |      |         | SIZE           | DWG. NO.     |
|                                      |         | ANGULAR: MACH BEND          | MFG APPR. |      |         | <b>B</b>       |              |
|                                      |         | TWO PLACE DECIMAL           | Q.A.      |      |         | REV            | 1            |
|                                      |         | THREE PLACE DECIMAL         | COMMENTS: |      |         | WEIGHT:        | SHEET 1 OF 1 |
| INTERPRET GEOMETRIC TOLERANCING PER: |         | MATERIAL                    |           |      |         |                |              |
|                                      |         | HDPE                        |           |      |         |                |              |
| FINISH                               |         | SMOOTH                      |           |      |         |                |              |
| NEXT ASSY                            | USED ON |                             |           |      |         |                |              |
| APPLICATION                          |         | DO NOT SCALE DRAWING        |           |      |         |                |              |