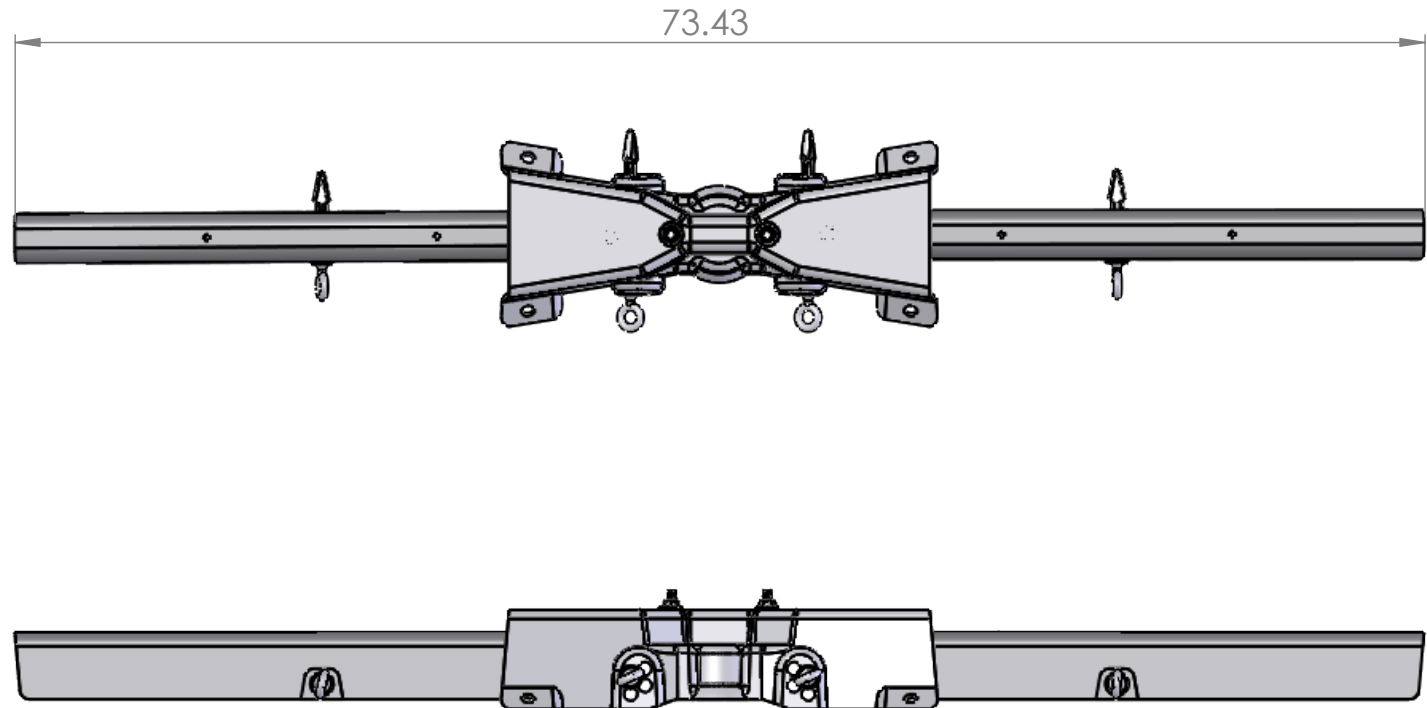
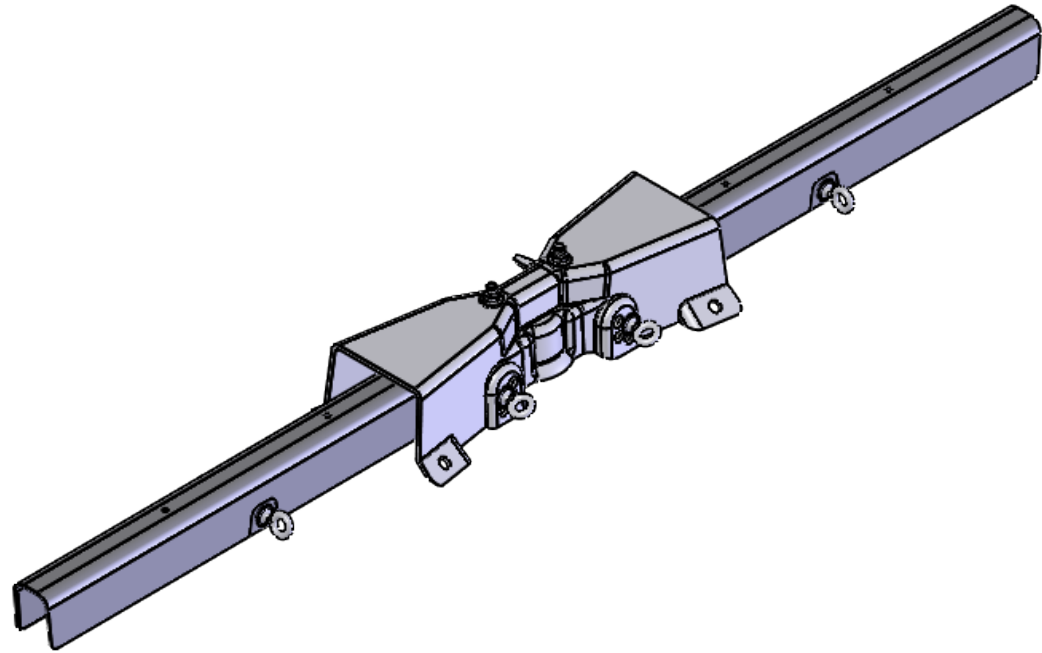


EICG-9B-NP

Designed for ANSI Class 55-2, 55-3, C Neck, pin and post, porcelain and polymer Insulators, top tied.
Not designed for side tie applications.



Warning!

1. High Voltage can cause death or serious injury.
2. This product is NOT PPE (Personal Protective Equipment). It is not designed to protect humans from electrical hazards, electrical arcs, or flashover.
3. Always follow safe working procedures, safety standards, and guidelines. Always use approved live line tools and PPE, rubber gloves, and sleeves if required, during installation, removal, and maintenance.

PROPRIETARY AND CONFIDENTIAL
THE INFORMATION CONTAINED IN THIS DRAWING IS THE SOLE PROPERTY OF ECO ELECTRICAL SYSTEMS. ANY REPRODUCTION IN PART OR AS A WHOLE WITHOUT THE WRITTEN PERMISSION OF ECO ELECTRICAL SYSTEMS IS PROHIBITED.

		UNLESS OTHERWISE SPECIFIED:		NAME	DATE		
		DIMENSIONS ARE IN INCHES	DRAWN	ML	6/4/18	TITLE:	
		TOLERANCES:	CHECKED			EICG-9B-NP	
		FRACTIONAL	ENG APPR.			SIZE	
		ANGULAR: MACH BEND	MFG APPR.			DWG. NO.	
		TWO PLACE DECIMAL	Q.A.			REV	
		THREE PLACE DECIMAL	COMMENTS:			1	
		INTERPRET GEOMETRIC TOLERANCING PER:				WEIGHT:	
		MATERIAL				SHEET 1 OF 1	
		HDPE					
NEXT ASSY	USED ON	FINISH					
		SMOOTH					
APPLICATION		DO NOT SCALE DRAWING					