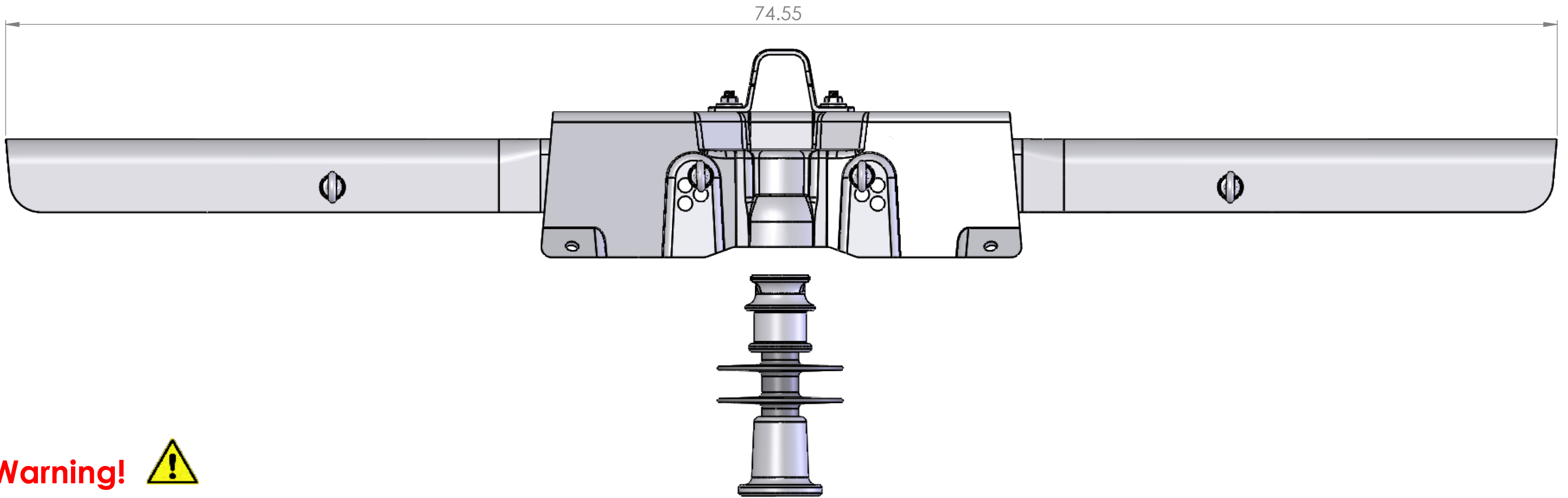


EICG-9T-K-H

This cover is designed for the polymer K Line insulator as show, C neck.
Includes tabbed arms and a handle for hot sticking.



Warning!



1. High Voltage can cause death or serious injury.
2. This product is NOT PPE (Personal Protective Equipment). It is not designed to protect humans from electrical hazards, electrical arcs, or flashover.
3. Always follow safe working procedures, safety standards, and guidelines. Always use approved live line tools and PPE, rubber gloves, and sleeves if required, during installation, removal, and maintenance.

PROPRIETARY AND CONFIDENTIAL
THE INFORMATION CONTAINED IN THIS DRAWING IS THE SOLE PROPERTY OF ECO ELECTRICAL SYSTEMS. ANY REPRODUCTION IN PART OR AS A WHOLE WITHOUT THE WRITTEN PERMISSION OF ECO ELECTRICAL SYSTEMS IS PROHIBITED.

		UNLESS OTHERWISE SPECIFIED:		NAME	DATE	TITLE: EICG-9T-K-H		
		DIMENSIONS ARE IN INCHES TOLERANCES: FRACTIONAL ANGULAR: MACH BEND TWO PLACE DECIMAL THREE PLACE DECIMAL		DRAWN	ML			6/24/20
				CHECKED				
				ENG APPR.				
				MFG APPR.				
		INTERPRET GEOMETRIC TOLERANCING PER:		Q.A.				
		MATERIAL		COMMENTS:				
		HDPE						
		FINISH						
		SMOOTH						
NEXT ASSY	USED ON					SIZE B	DWG. NO.	REV 1
APPLICATION		DO NOT SCALE DRAWING				WEIGHT:		SHEET 1 OF 1