

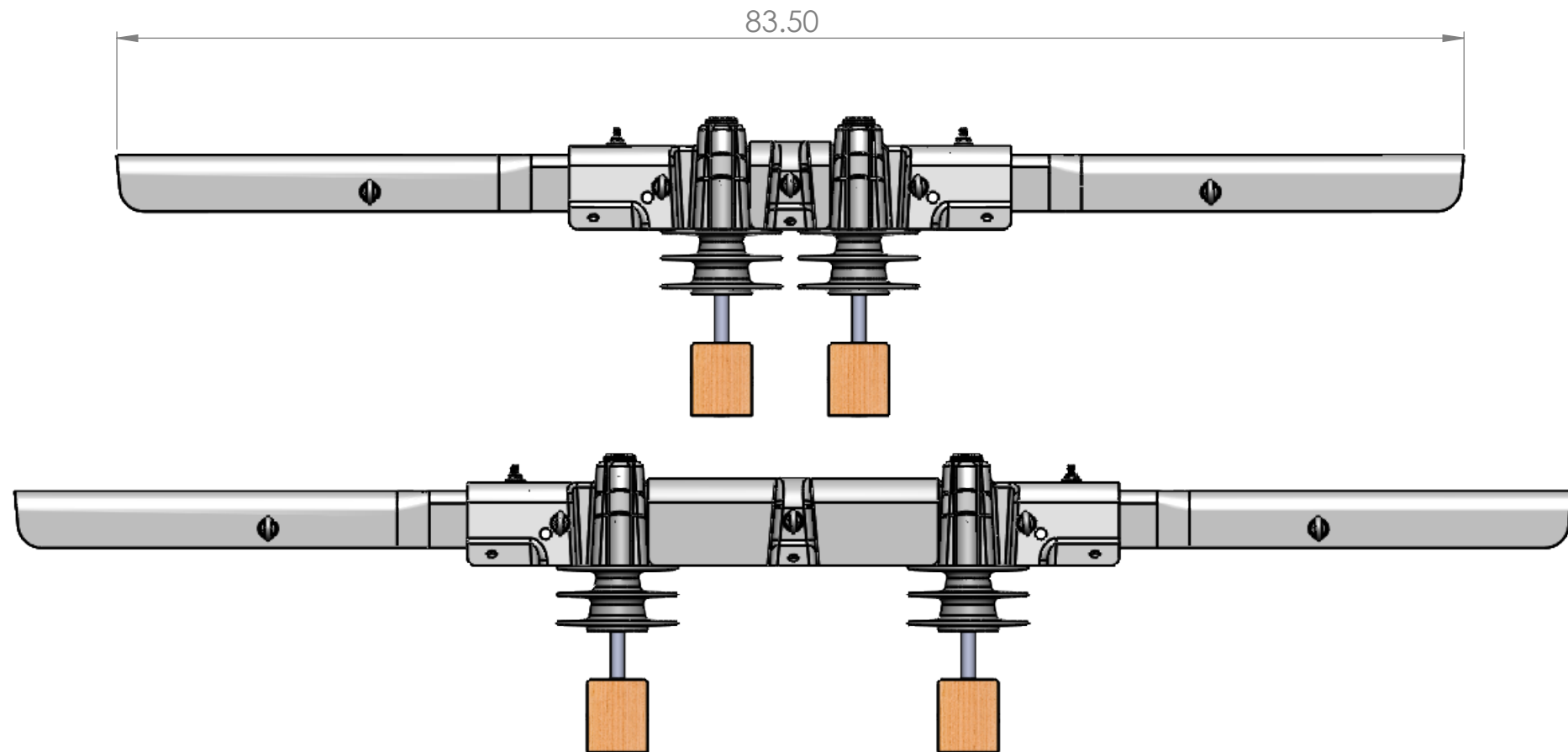
EVT-1B-DP-NP

Designed for the Hendrix Vice-Top Insulators double insulator configurations.
 Will fit pole diameters ranging from 5" to 18".
 Center sleeve needs to be trimmed from center of the sleeve to the crossarm width, inside to inside measurement of the crossarms.

Example: Sleeve is 18" in length, inside to inside measurement of the crossarms equals 18", no need to trim.

For a 12" pole diameter trim one side from the end 3" then trim the other end 3". Total length will now be 12".

Measure the inside to inside dimension of the crossarms. Or in the case of a ridge pin measure the pole diameter and trim accordingly.



Warning!

1. High Voltage can cause death or serious injury.
2. This product is NOT PPE (Personal Protective Equipment). It is not designed to protect humans from electrical hazards, electrical arcs, or flashover.
3. Always follow safe working procedures, safety standards, and guidelines. Always use approved live line tools and PPE, rubber gloves, and sleeves if required, during installation, removal, and maintenance.

PROPRIETARY AND CONFIDENTIAL
 THE INFORMATION CONTAINED IN THIS DRAWING IS THE SOLE PROPERTY OF ECO ELECTRICAL SYSTEMS. ANY REPRODUCTION IN PART OR AS A WHOLE WITHOUT THE WRITTEN PERMISSION OF ECO ELECTRICAL SYSTEMS IS PROHIBITED.

		UNLESS OTHERWISE SPECIFIED:		NAME	DATE	TITLE: <h3>EVT-1B-DP-NP</h3> <h3>5-18 inches</h3>		
		DIMENSIONS ARE IN INCHES		DRAWN	ML			7/22/20
		TOLERANCES:		CHECKED				
		FRACTIONAL		ENG APPR.				
		ANGULAR: MACH BEND		MFG APPR.				
		TWO PLACE DECIMAL		Q.A.				
		THREE PLACE DECIMAL		COMMENTS:				
		INTERPRET GEOMETRIC TOLERANCING PER:						
		MATERIAL						
		HDPE						
		FINISH						
		SMOOTH						
NEXT ASSY	USED ON							
APPLICATION		DO NOT SCALE DRAWING						
				SIZE	DWG. NO.	REV		
				B		1		
				WEIGHT:		SHEET 1 OF 1		