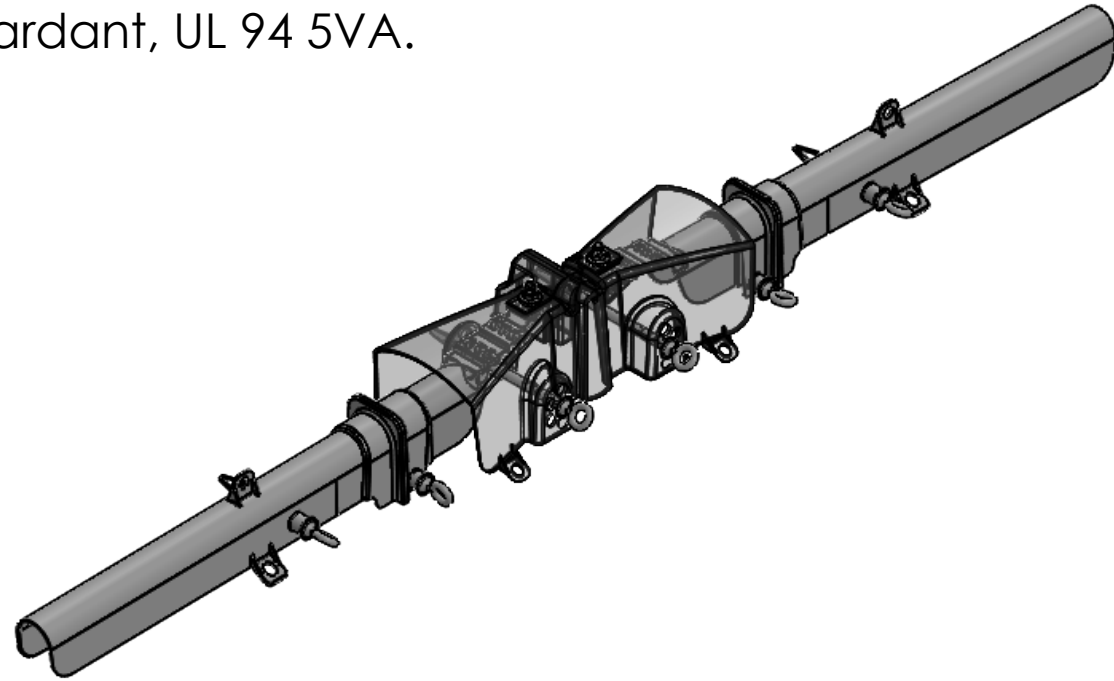


EVTA-HSW-FR

Designed for the Hendrix, PLP and Victor Vice Top insulators.
 This cover is installed in 3 pieces. Install the insulator cover then the arms/extensions.
 The hinge design offers varying flexibility for all types of angles and downstrains.
 Tangent construction angles up to 20 degrees. No handle. For the handle see EVTA-HSW-H.

Flame retardant, UL 94 5VA.



Warning!

1. High Voltage can cause death or serious injury.
2. This product is NOT PPE (Personal Protective Equipment). It is not designed to protect humans from electrical hazards, electrical arcs, or flashover.
3. Always follow safe working procedures, safety standards, and guidelines. Always use approved live line tools and PPE, rubber gloves, and sleeves if required, during installation, removal, and maintenance.

PROPRIETARY AND CONFIDENTIAL
 THE INFORMATION CONTAINED IN THIS DRAWING IS THE SOLE PROPERTY OF ECO ELECTRICAL SYSTEMS. ANY REPRODUCTION IN PART OR AS A WHOLE WITHOUT THE WRITTEN PERMISSION OF ECO ELECTRICAL SYSTEMS IS PROHIBITED.

		UNLESS OTHERWISE SPECIFIED:		NAME	DATE	TITLE: EVTA-HSW-FR		
		DIMENSIONS ARE IN INCHES TOLERANCES: FRACTIONAL ANGULAR: MACH BEND TWO PLACE DECIMAL THREE PLACE DECIMAL		DRAWN	ML			4/8/20
				CHECKED				
				ENG APPR.				
				MFG APPR.				
		INTERPRET GEOMETRIC TOLERANCING PER:		Q.A.			SIZE B	
		MATERIAL FR UL 94 5VA		COMMENTS:		DWG. NO.		REV 1
NEXT ASSY	USED ON	FINISH SMOOTH				WEIGHT:	SHEET 1 OF 1	
APPLICATION		DO NOT SCALE DRAWING						