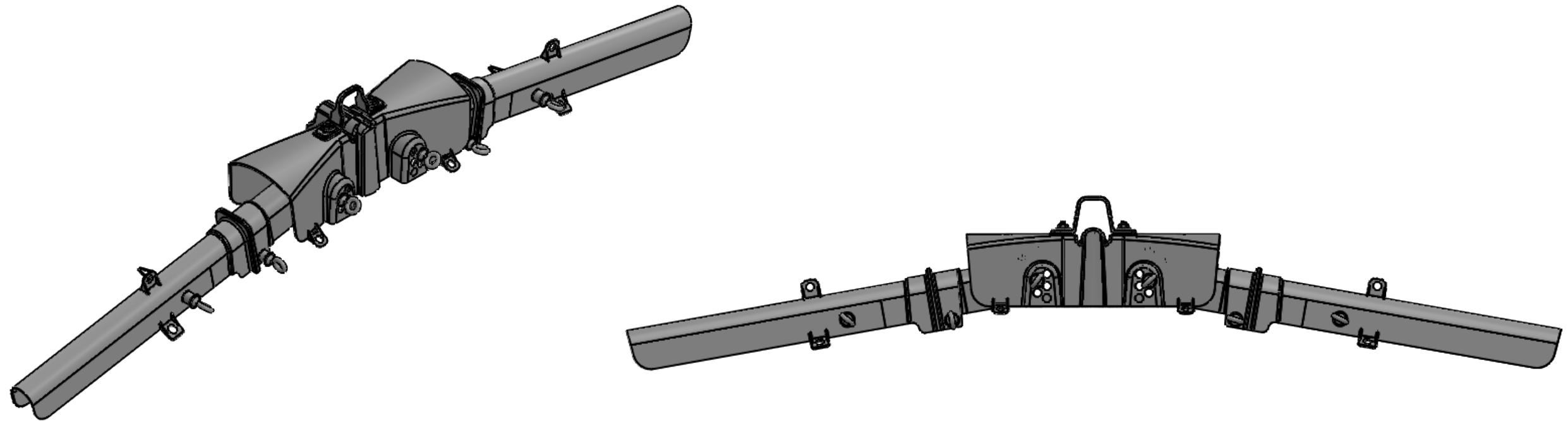


EVTA-HSW-H-FR

Designed for the Hendrix, PLP and Victor Vice Top insulators with a handle.
 This cover is installed in 3 pieces. Install the insulator cover then the arms/extensions.
 The hinge design offers varying flexibility for all types of angles and downstrains.
 Tangent and angle construction up to 20 degrees.

Flame retardant, UL 94 5VA.



Warning!

1. High Voltage can cause death or serious injury.
2. This product is NOT PPE (Personal Protective Equipment). It is not designed to protect humans from electrical hazards, electrical arcs, or flashover.
3. Always follow safe working procedures, safety standards, and guidelines. Always use approved live line tools and PPE, rubber gloves, and sleeves if required, during installation, removal, and maintenance.

PROPRIETARY AND CONFIDENTIAL
 THE INFORMATION CONTAINED IN THIS DRAWING IS THE SOLE PROPERTY OF ECO ELECTRICAL SYSTEMS. ANY REPRODUCTION IN PART OR AS A WHOLE WITHOUT THE WRITTEN PERMISSION OF ECO ELECTRICAL SYSTEMS IS PROHIBITED.

		UNLESS OTHERWISE SPECIFIED:		NAME	DATE		
		DIMENSIONS ARE IN INCHES	DRAWN	ML	6/4/20	TITLE:	
		TOLERANCES:	CHECKED			EVTA-HSW-H-FR	
		FRACTIONAL	ENG APPR.				
		ANGULAR: MACH BEND	MFG APPR.				
		TWO PLACE DECIMAL	Q.A.				
		THREE PLACE DECIMAL	COMMENTS:			SIZE	DWG. NO.
		INTERPRET GEOMETRIC TOLERANCING PER:				B	
		MATERIAL					REV
		FR UL 94 5VA rated					1
NEXT ASSY	USED ON	FINISH				WEIGHT:	
		SMOOTH				SHEET 1 OF 1	
APPLICATION		DO NOT SCALE DRAWING					