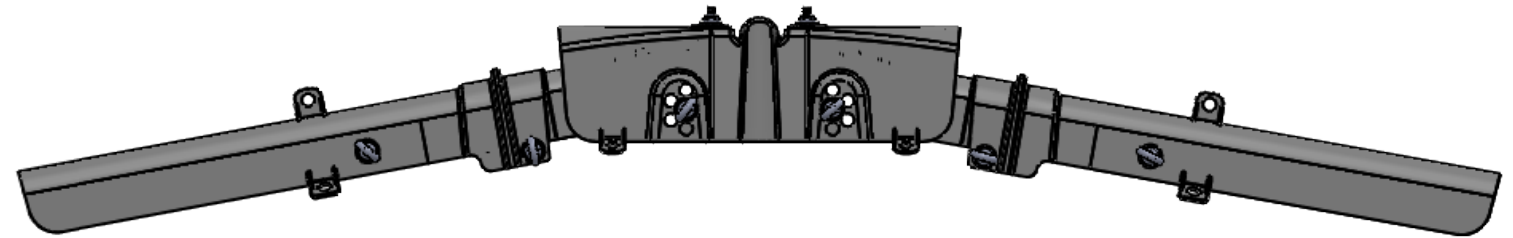
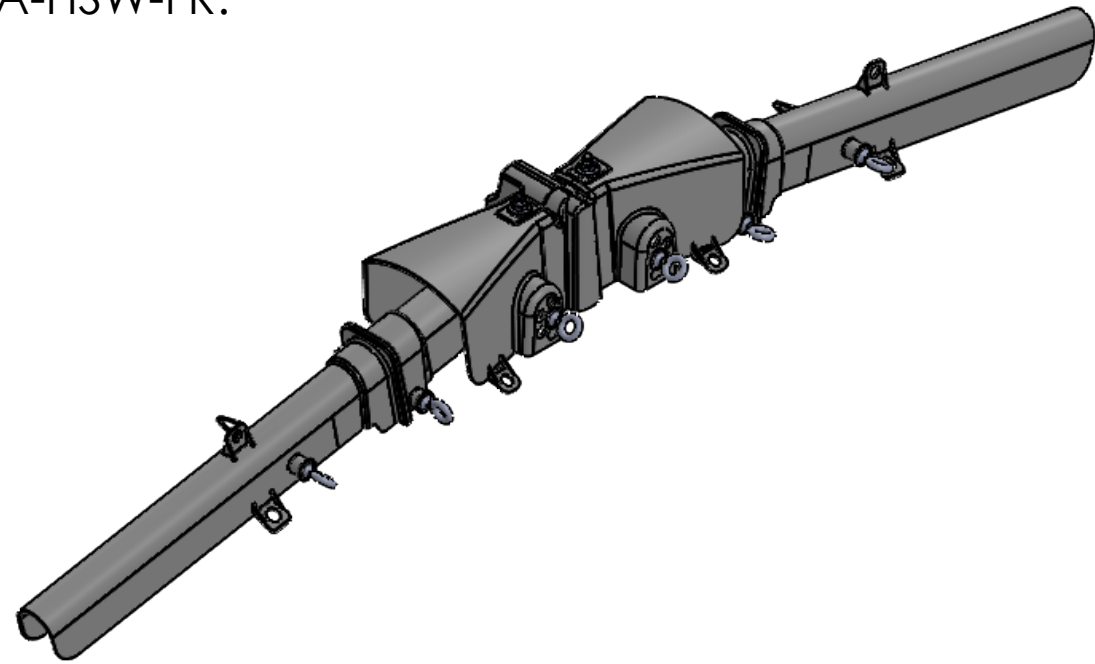


# EVTA-HSW

Designed for the Hendrix, PLP and Victor Vice Top insulators.  
 This is a 3 piece cover design. Install the insulator cover then the arms/extensions.  
 The hinge design offers varying flexibility for all types of angles and downstrains.  
 Tangent construction. No handle. For the handle see EVTA-HSW-H.

FR rating available, UL 94 5VA rated.  
 Part # EVTA-HSW-FR.



## Warning!

1. High Voltage can cause death or serious injury.
2. This product is NOT PPE (Personal Protective Equipment). It is not designed to protect humans from electrical hazards, electrical arcs, or flashover.
3. Always follow safe working procedures, safety standards, and guidelines. Always use approved live line tools and PPE, rubber gloves, and sleeves if required, during installation, removal, and maintenance.

**PROPRIETARY AND CONFIDENTIAL**  
 THE INFORMATION CONTAINED IN THIS DRAWING IS THE SOLE PROPERTY OF ECO ELECTRICAL SYSTEMS. ANY REPRODUCTION IN PART OR AS A WHOLE WITHOUT THE WRITTEN PERMISSION OF ECO ELECTRICAL SYSTEMS IS PROHIBITED.

		UNLESS OTHERWISE SPECIFIED:		NAME	DATE		
		DIMENSIONS ARE IN INCHES TOLERANCES: FRACTIONAL ANGULAR: MACH BEND TWO PLACE DECIMAL THREE PLACE DECIMAL		DRAWN	ML	4/8/20	TITLE:  <b>EVTA-HSW</b>
				CHECKED			
				ENG APPR.			
				MFG APPR.			
		INTERPRET GEOMETRIC TOLERANCING PER:		Q.A.			SIZE <b>B</b>
		MATERIAL HDPE		COMMENTS:			
NEXT ASSY	USED ON	FINISH SMOOTH					REV <b>1</b>
APPLICATION		DO NOT SCALE DRAWING					WEIGHT:
							SHEET 1 OF 1