

SC-1

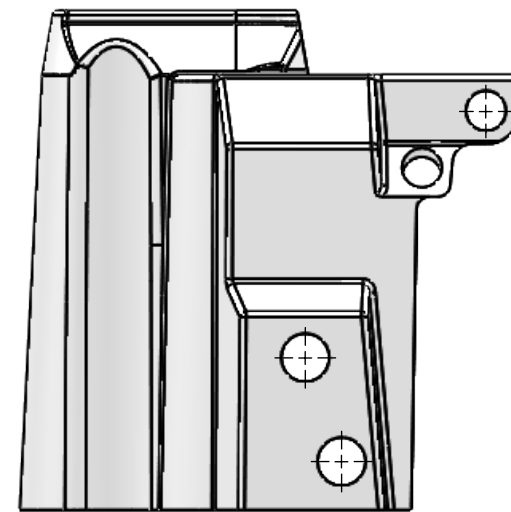
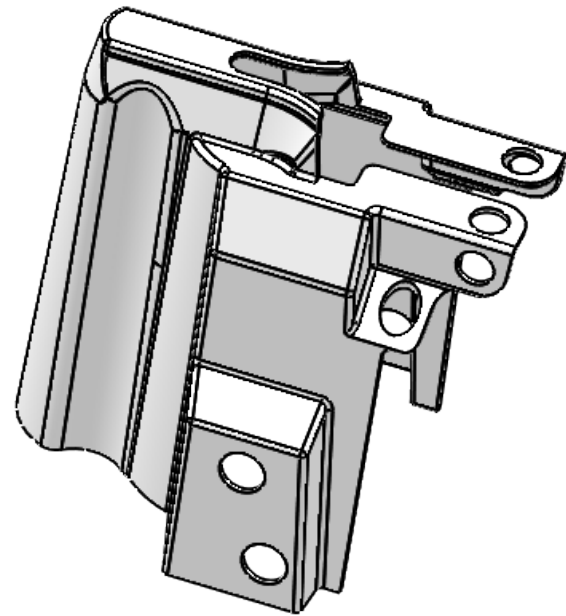
Squirrel cover, for use with ECC-UHC and ECC-UMC cutout covers.

The squirrel cover can be hot stick installed. Covers the slot in the back and up over the top of the cutout cover to help prevent squirrels from storing nuts inside the cutout cover.

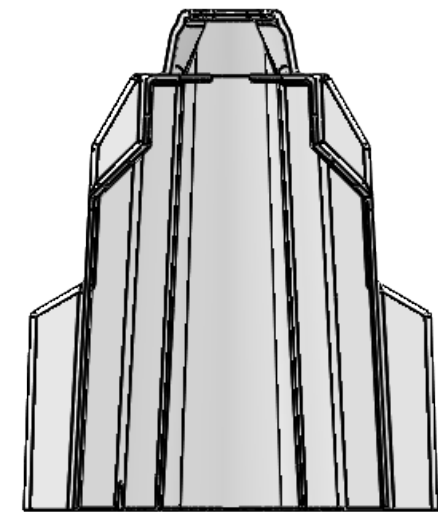
Available in FR, UL 94 5VA.

Part number would be SC-1-FR when ordering separately.

US Patent 10,566,166



Side View



Back View

Warning!



1. High Voltage can cause death or serious injury.

2. This product is NOT PPE (Personal Protective Equipment). It is not designed to protect humans from electrical hazards, electrical arcs, or flashover.

3. Always follow safe working procedures, safety standards, and guidelines. Always use approved live line tools and PPE, rubber gloves, and sleeves if required, during installation, removal, and maintenance.

PROPRIETARY AND CONFIDENTIAL
THE INFORMATION CONTAINED IN THIS DRAWING IS THE SOLE PROPERTY OF ECO ELECTRICAL SYSTEMS. ANY REPRODUCTION IN PART OR AS A WHOLE WITHOUT THE WRITTEN PERMISSION OF ECO ELECTRICAL SYSTEMS IS PROHIBITED.

		UNLESS OTHERWISE SPECIFIED:		NAME	DATE
		DIMENSIONS ARE IN INCHES		DRAWN	ML 4/8/20
		TOLERANCES:		CHECKED	
		FRACTIONAL		ENG APPR.	
		ANGULAR: MACH BEND		MFG APPR.	
		TWO PLACE DECIMAL		Q.A.	
		THREE PLACE DECIMAL		COMMENTS:	
		INTERPRET GEOMETRIC TOLERANCING PER:		TITLE: SC-1	
		MATERIAL			
		HDPE		SIZE	DWG. NO.
		FINISH		B	
		SMOOTH			REV
NEXT ASSY	USED ON				1
APPLICATION		DO NOT SCALE DRAWING		WEIGHT: SHEET 1 OF 1	